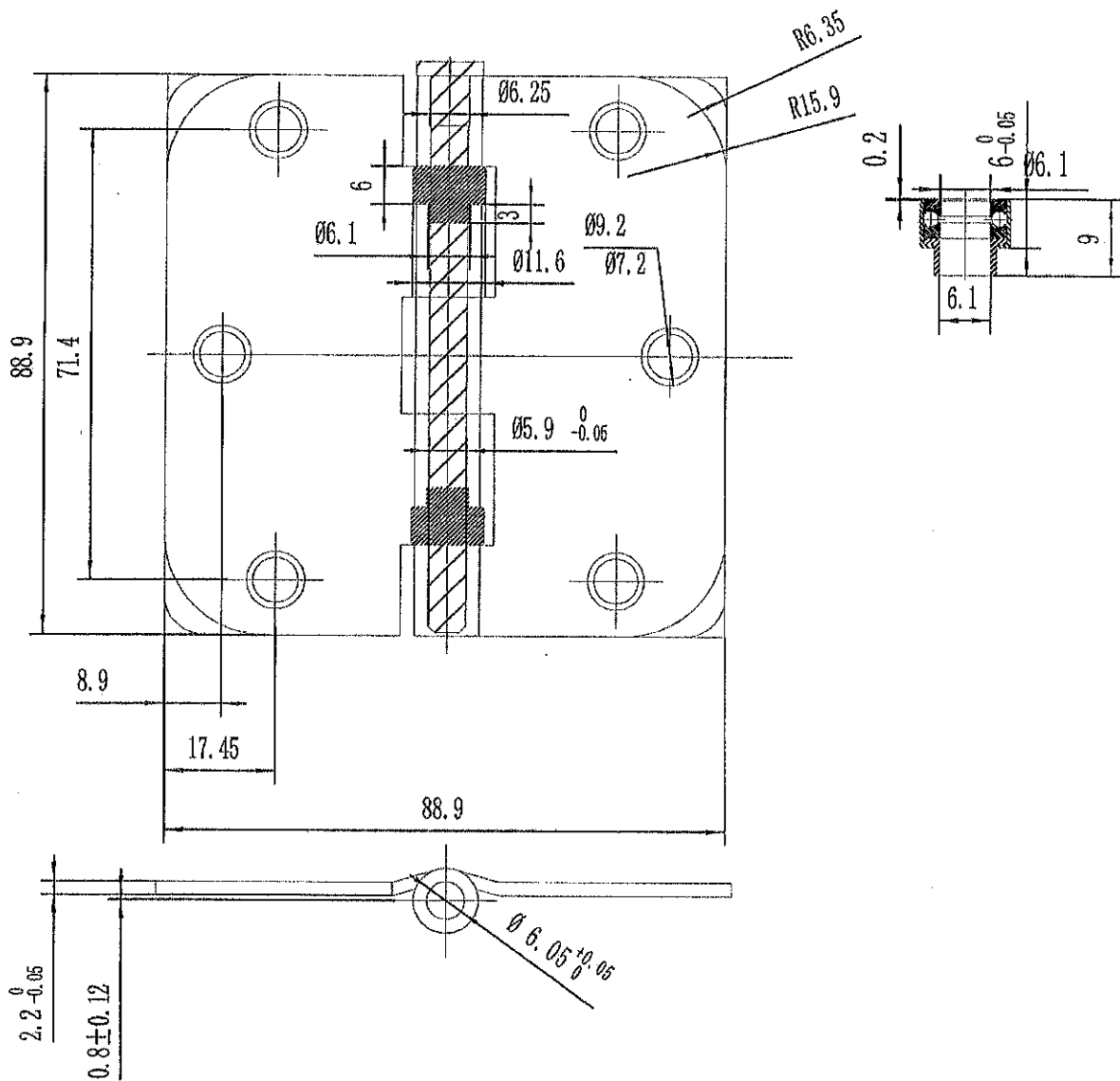


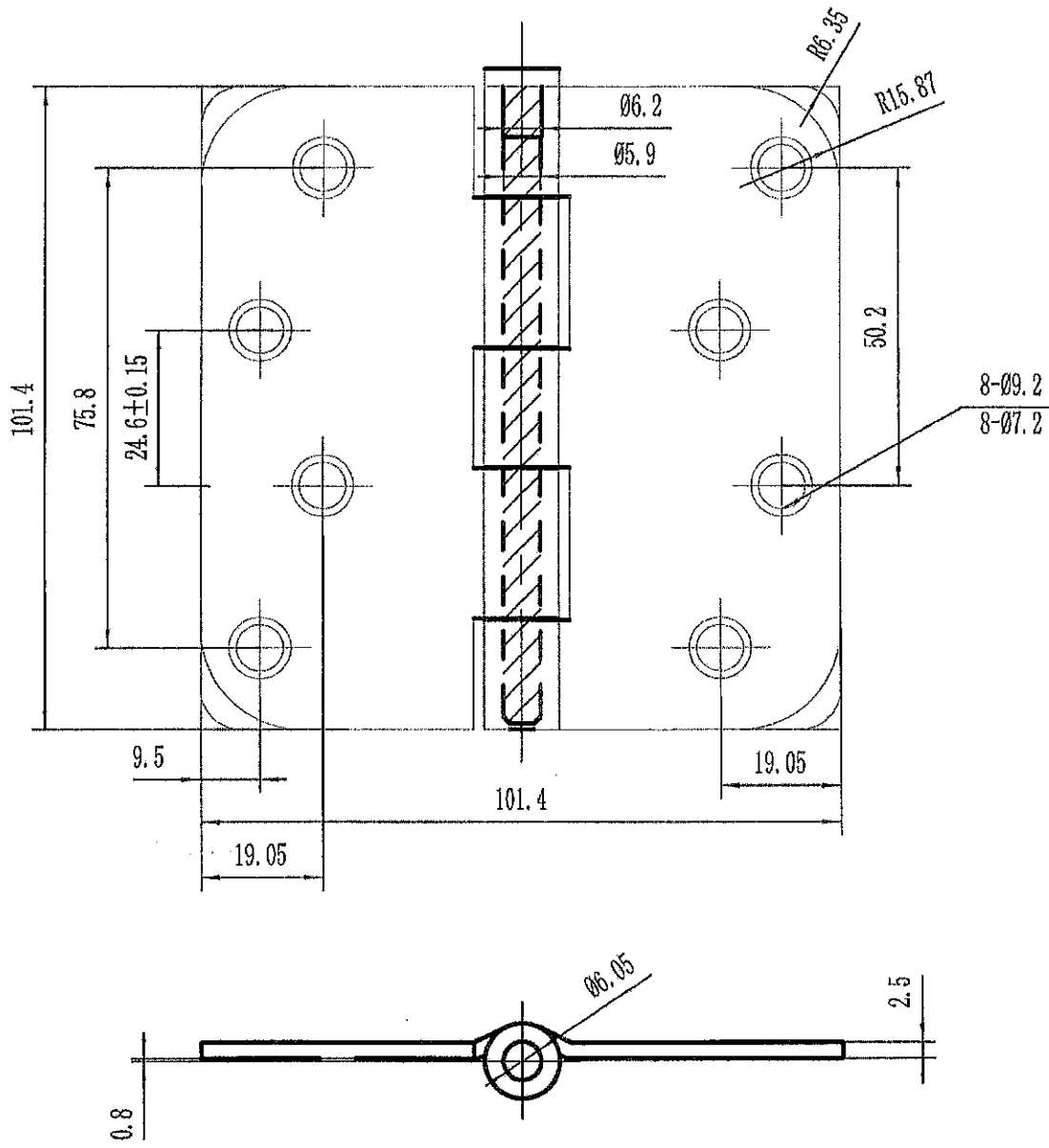
RESIDENTIAL PLAIN BEARING

| | | | | | | | | | | |
|------------|----------|------|------|-------------------------|--|-------------------|--|-------|-----|--|
| | | | | 3.5" x 3.5" x 2.2 HINGE | | 114 3.5 / 158 3.5 | | | | |
| MARK | FILE NO. | SIGN | DATE | | | | | Scale | 1:1 | |
| DRAW BY | | | | | | | | | | |
| CHECK BY | | | | | | | | | | |
| REVIEW BY | | | | | | | | | | |
| APPROVE BY | | | | Weight: 0.165kg | | | | | | |



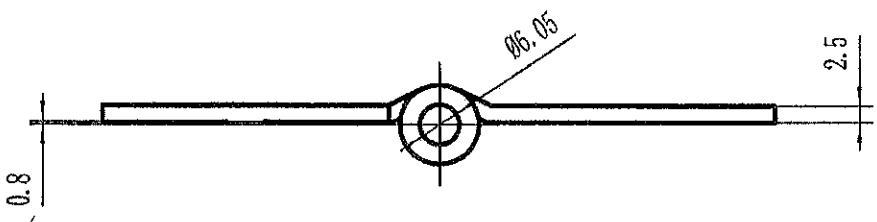
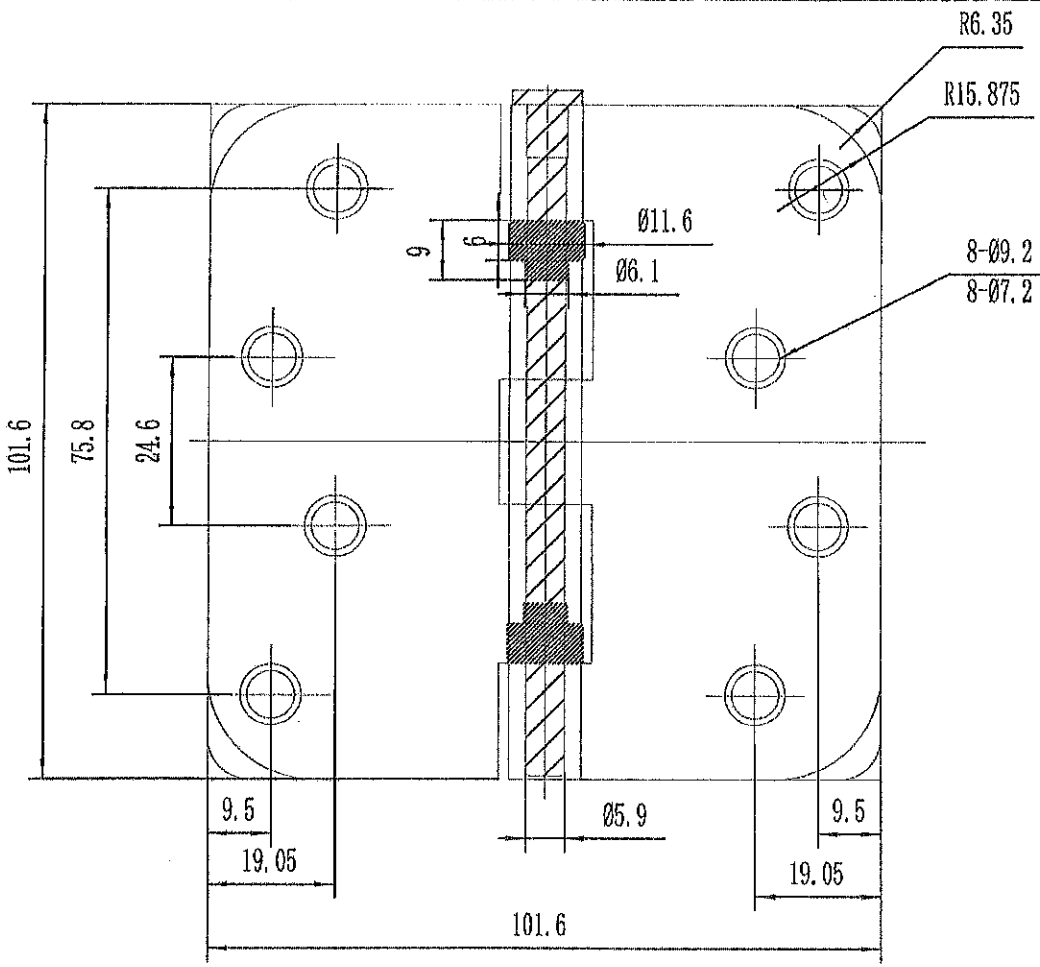
RESIDENTIAL BALL BEARING

| | | | | | | | | |
|------------|----------|------|------|-------------------------|-----------------------|-----|--|--|
| | | | | 3.5" x 3.5" x 2.2 HINGE | BB114 3.5 / BB158 3.5 | | | |
| MARK | FILE NO. | SIGN | DATE | | SCALE | 1:1 | | |
| DRAW BY | | | | | | | | |
| CHECK BY | | | | | | | | |
| REVIEW BY | | | | | | | | |
| APPROVE BY | | | | WEIGHT: 0.165kg | | | | |



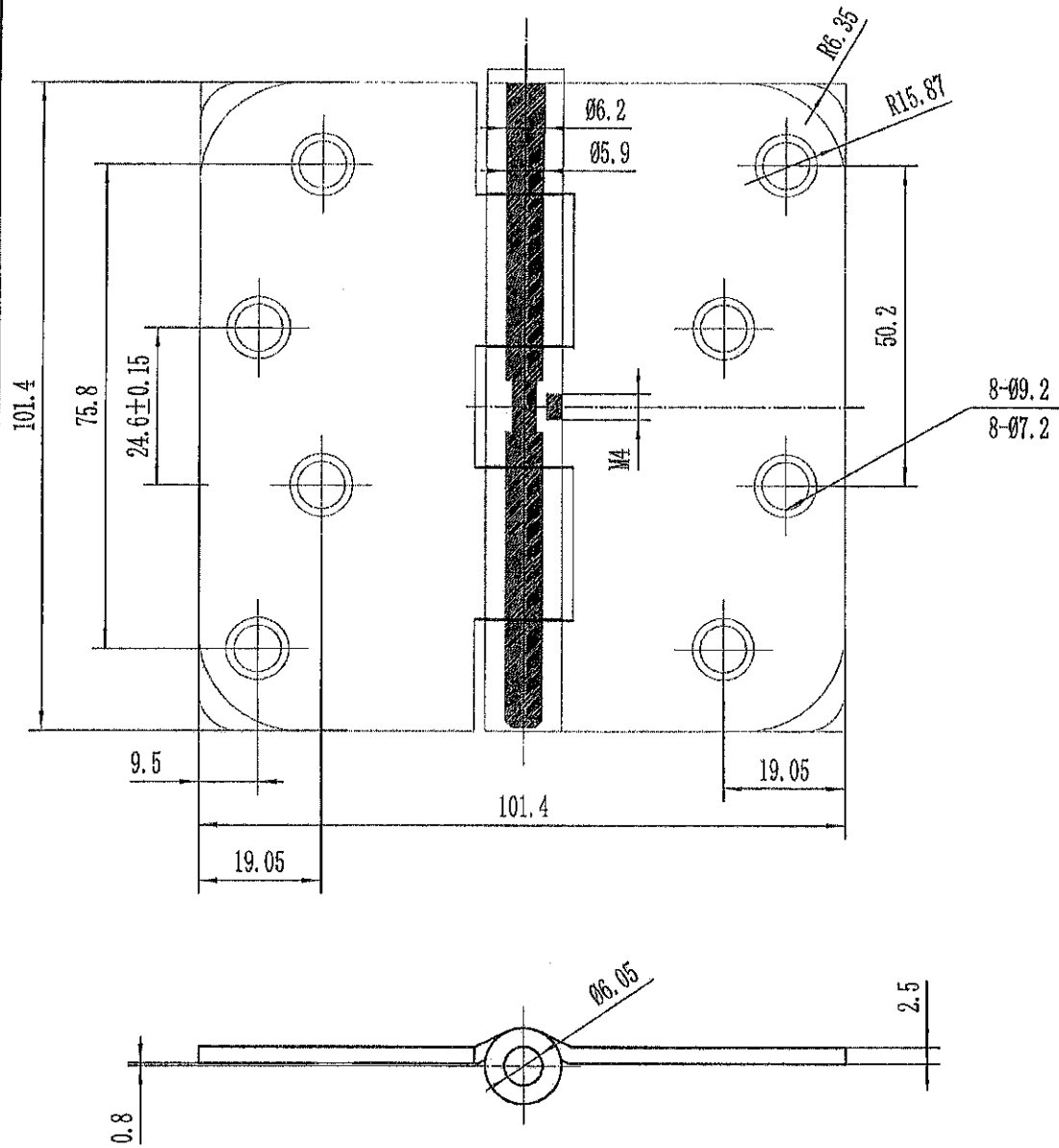
RESIDENTIAL PLAIN BEARING

| | | | | | |
|------------|----------|------|------|------------------|-------------------|
| | | | | 4"x4"x2.5 HINGE | 4M38 |
| MARK | FILE NO. | SIGN | DATE | | SCALE 1:1 |
| DRAW BY | | | | | 114 4.0 / 158 4.0 |
| CHECK BY | | | | | |
| REVIEW BY | | | | | |
| APPROVE BY | | | | WEIGHT: 0.238 kg | |

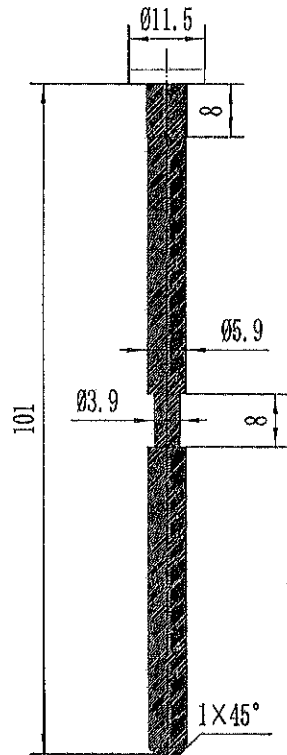


RESIDENTIAL BALL BEARING

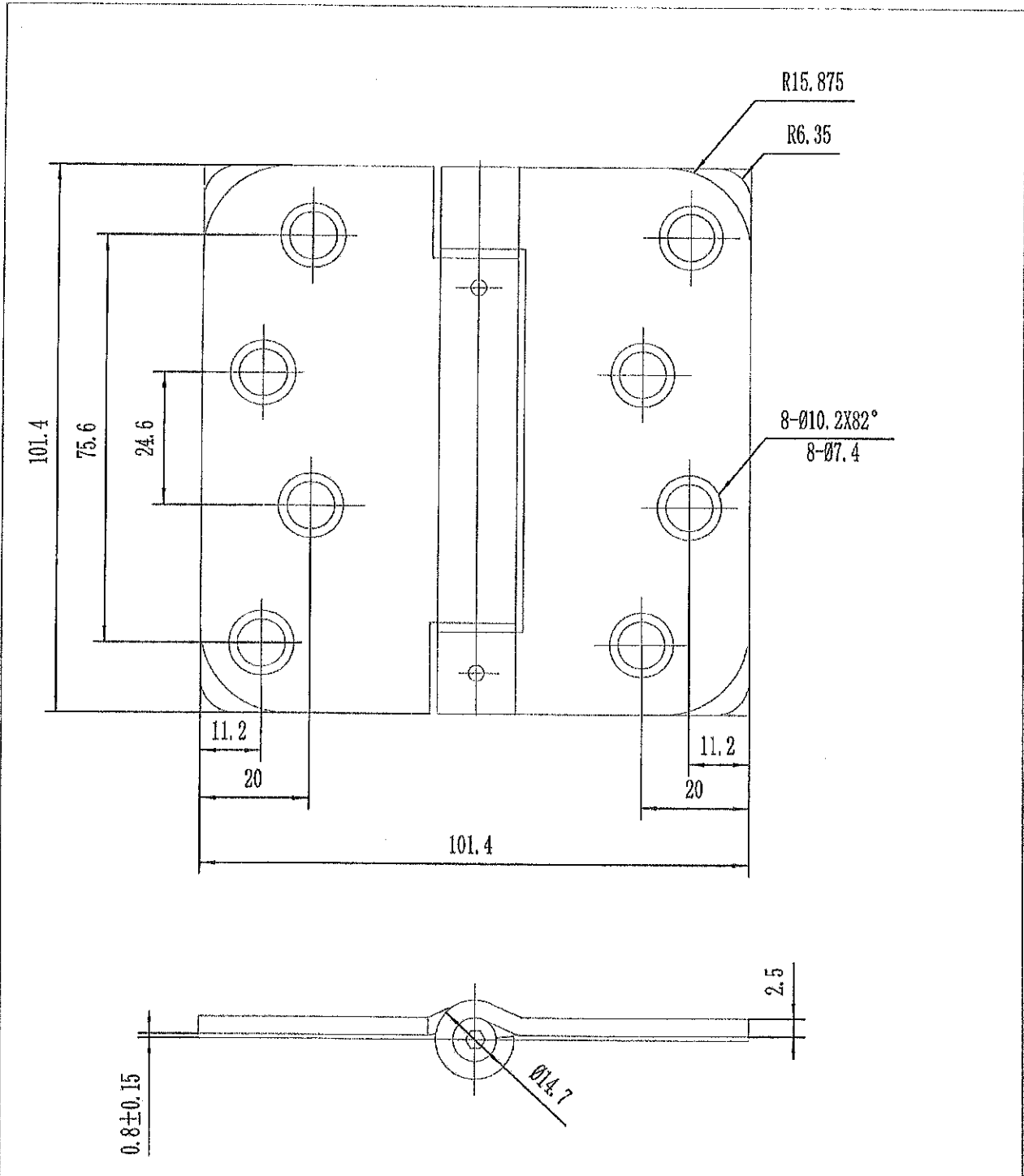
| | | | | | | | |
|------------|----------|------|------|---------------------|--|-----------------------|-----|
| | | | | 4" x 4" x 2.5 HINGE | | | |
| MARK | FILE NO. | SIGN | DATE | | | SCALE | 1:1 |
| DRAW BY | | | | | | BB114 4.0 / BB158 4.0 | |
| CHECK BY | | | | | | | |
| REVIEW BY | | | | | | | |
| APPROVE BY | | | | WEIGHT: 0.238kg | | | |



| | | | | | | | | | | |
|------------|----------|------|------|-------------------------|--|-------|------|--|--|--|
| | | | | 4" x 4" x 2.5 HINGE NRP | | | | | | |
| MARK | FILE NO. | SIGN | DATE | | | SCALE | 1: 1 | | | |
| DRAW BY | | | | | | | | | | |
| CHECK BY | | | | | | | | | | |
| REVIEW BY | | | | | | | | | | |
| APPROVE BY | | | | WEIGHT: 0.238 kg | | | | | | |



| | | | | | | | | | | |
|------------|--|----------|------|------|-------------------|--|-------|-----|--|--|
| | | | | | 4" x 4" x 2.5 PIN | | | | | |
| MARK | | FILE NO. | SIGN | DATE | | | Scale | 1:1 | | |
| DRAW BY | | | | | | | | | | |
| CHECK BY | | | | | | | | | | |
| REVIEW BY | | | | | | | | | | |
| APPROVE BY | | | | | WEIGHT: 0.023 kg | | | | | |

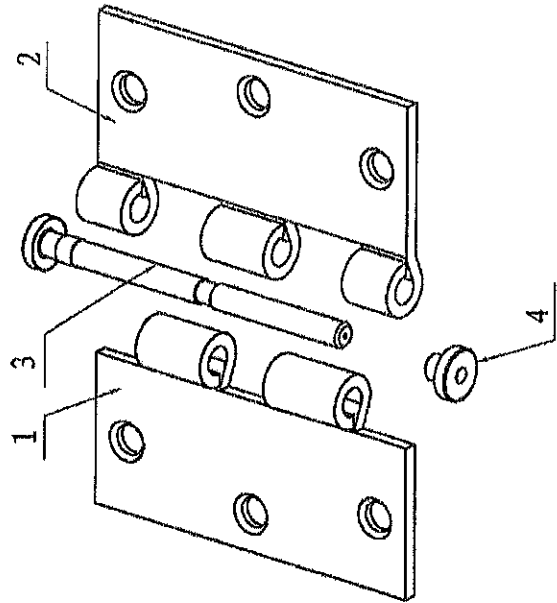
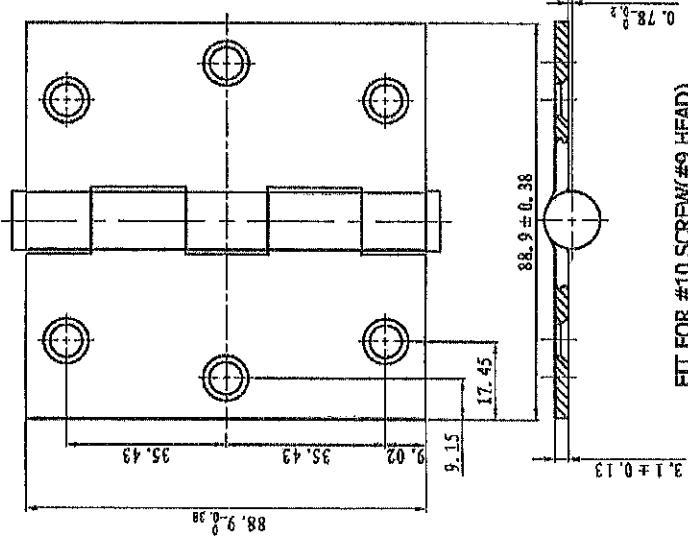


RESIDENTIAL

| | | | | | | | |
|------------|----------|------|------|----------------------------|--|-------------------|-----|
| | | | | 4" x 4" x 2.5 SPRING HINGE | | | |
| MARK | FILE NO. | SIGN | DATE | | | SCALE | 1:1 |
| DRAW BY | | | | | | 514 4.0 / 558 4.0 | |
| CHECK BY | | | | | | | |
| REVIEW BY | | | | | | | |
| APPROVE BY | | | | WEIGHT : 0.304 | | | |

Unit: mm

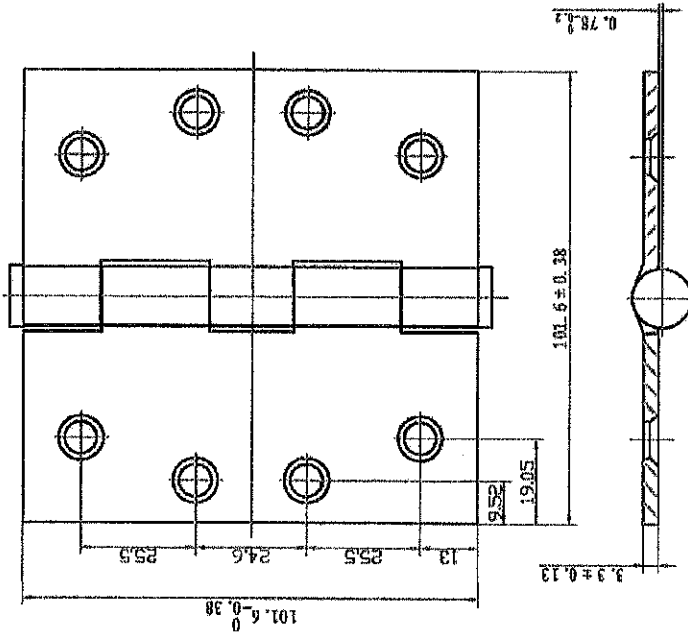
| NO. | REVISED | REVISION | SIGNATURE | REVISED DATE |
|-----|---------|----------|-----------|--------------|
| 1 | A0 | INITIAL | | |
| 2 | | | | |
| 3 | | | | |
| 4 | | | | |
| 5 | | | | |



| NO. | DWG. NO. | DESCRIPTION | SIZE | QTY | MTL. BASE | REMARKS | | | | | | | | | | | | | | |
|--|--|--|-------------------|-----|-----------|---------|-------------|--|------|-------------------|----------|----------|----------|-------------------|--|--------------|--|--------------|--|----------|
| 4 | | STEEL PLUG | 3.5" x 3.1 | 1 | STEEL | | | | | | | | | | | | | | | |
| 3 | | STEEL LONG PIN | 3.5" x 3.1 | 1 | STEEL | | | | | | | | | | | | | | | |
| 2 | | STEEL BOL. CONAL. COMMERCIAL HINGE-2 ROLLER LEAF | 3.5" x 3.5" x 3.1 | 1 | STEEL | | | | | | | | | | | | | | | |
| 1 | | STEEL BOL. CONAL. COMMERCIAL HINGE-2 PIN/COLLAR LEAF | 3.5" x 3.5" x 3.1 | 1 | STEEL | | | | | | | | | | | | | | | |
| <table border="1"> <thead> <tr> <th>DESCRIPTION</th> <th>STEEL STANDARD WEIGHT COMMERCIAL HINGE</th> </tr> </thead> <tbody> <tr> <td>SIZE</td> <td>3.5" x 3.5" x 3.1</td> </tr> <tr> <td>ITEM NO.</td> <td>1000 3.5</td> </tr> <tr> <td>UNIT: mm</td> <td>3D: \varnothing</td> </tr> <tr> <td></td> <td>SSS DWG. NO.</td> </tr> <tr> <td></td> <td>PAGE: 1 OF 1</td> </tr> <tr> <td></td> <td>DWG. NO.</td> </tr> </tbody> </table> | | | | | | | DESCRIPTION | STEEL STANDARD WEIGHT COMMERCIAL HINGE | SIZE | 3.5" x 3.5" x 3.1 | ITEM NO. | 1000 3.5 | UNIT: mm | 3D: \varnothing | | SSS DWG. NO. | | PAGE: 1 OF 1 | | DWG. NO. |
| DESCRIPTION | STEEL STANDARD WEIGHT COMMERCIAL HINGE | | | | | | | | | | | | | | | | | | | |
| SIZE | 3.5" x 3.5" x 3.1 | | | | | | | | | | | | | | | | | | | |
| ITEM NO. | 1000 3.5 | | | | | | | | | | | | | | | | | | | |
| UNIT: mm | 3D: \varnothing | | | | | | | | | | | | | | | | | | | |
| | SSS DWG. NO. | | | | | | | | | | | | | | | | | | | |
| | PAGE: 1 OF 1 | | | | | | | | | | | | | | | | | | | |
| | DWG. NO. | | | | | | | | | | | | | | | | | | | |

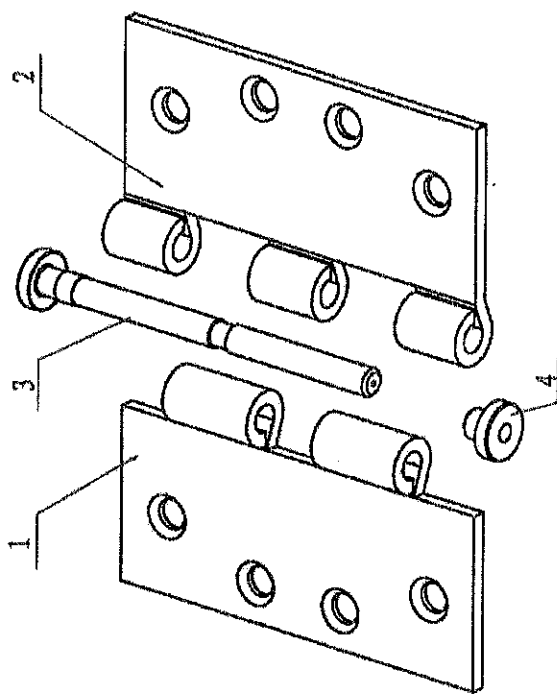
UNIT: mm

| NO. | REVISED | REVISION | INITIAL | DATE |
|-----|---------|----------|---------|------|
| 1 | A0 | | | |
| 2 | | | | |
| 3 | | | | |
| 4 | | | | |
| 5 | | | | |



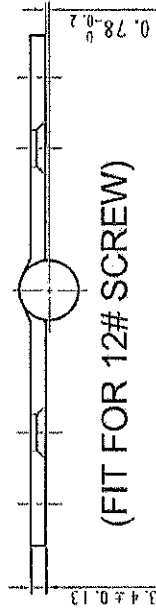
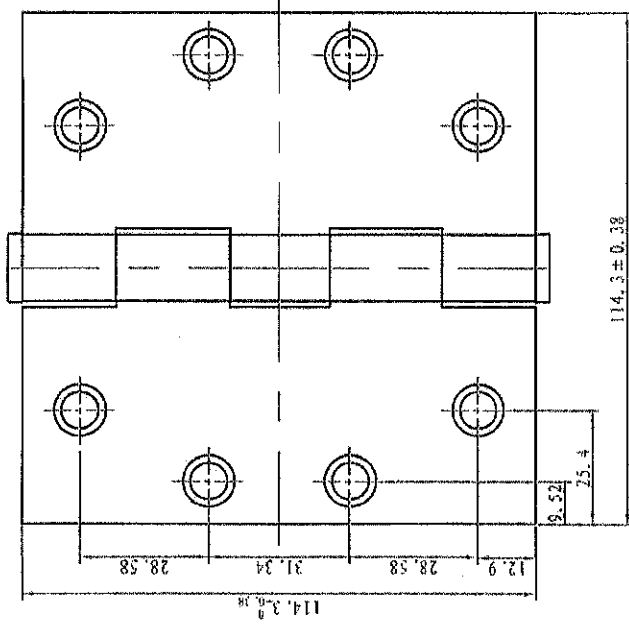
(FIT FOR 12# SCREW)

3D:



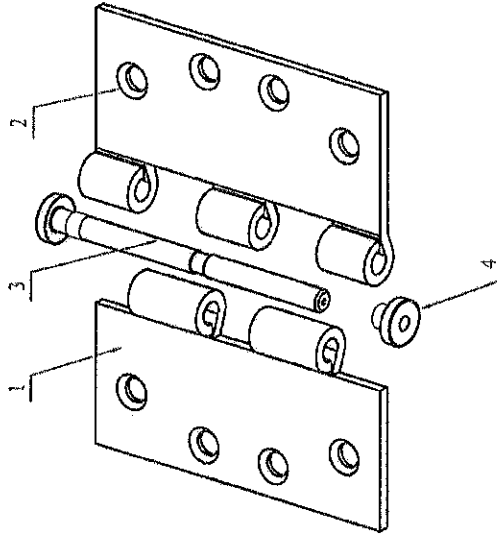
| NO. | DWG. NO. | DESCRIPTION | SIZE | QTY | MTL. BASE | REMARKS | |
|-----|---------------|--|---------------------------------------|---------------|-----------|-----------|---------|
| 6 | | | | | | | |
| 5 | | | | | | | |
| 4 | PT08-7940-02 | STEEL PLUG | 4" x 3.3 | 1 | STEEL | | |
| 3 | PT08-7940-01 | STEEL LONG PIN | 4" x 3.3 | 1 | STEEL | | |
| 2 | 04-1279-440X0 | STEEL SQ. CORN. COMMERCIAL HANG-4 INALUMINUM | 4" x 4" x 3.3 | 1 | STEEL | | |
| 1 | 04-1279-440X0 | STEEL SQ. CORN. COMMERCIAL HANG-2 INALUMINUM | 4" x 4" x 3.3 | 1 | STEEL | | |
| NO. | | DWG. NO. | DESCRIPTION | SIZE | QTY | MTL. BASE | REMARKS |
| | | | STEEL STANDARD WEIGHT COMMERCIAL HANG | | | | |
| | | | SIZE | 4" x 4" x 3.3 | | | |
| | | | ITEM NO. | 100040 | | | |
| | | | SGS DWG. NO. | | | | |
| | | | UNIT: mm | 3D: | | | |
| | | | PAGE: 1 OF 1 | | | | |
| | | | DWG. NO. | | | | |

UNIT: mm



(FIT FOR 12# SCREW)

| NO. | SYMBOL | VERSION | REVISION | SIGNATURE | REVISED DATE |
|-----|--------|---------|----------|-----------|--------------|
| 1 | | A0 | INITIAL | | |
| 2 | | | | | |
| 3 | | | | | |
| 4 | | | | | |
| 5 | | | | | |

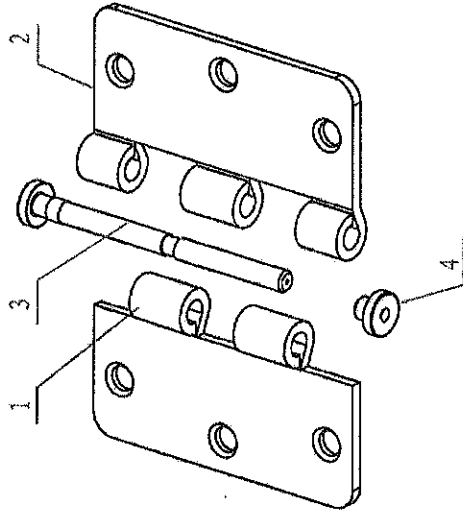
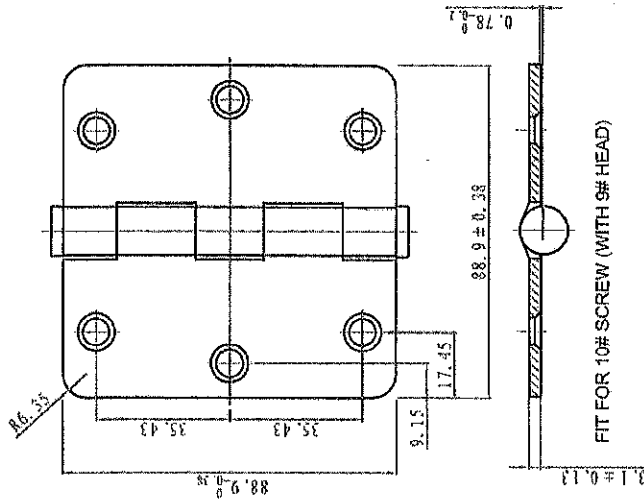


| NO. | DWG. NO. | DESCRIPTION | SIZE | QTY. | MTL. BASE | REMARKS |
|--|---------------|--|-------------------|------|-----------|-------------------|
| 1 | PT08-7945-02 | STEEL PLUG | 4.5" x 3.4 | 1 | STEEL | |
| 3 | PT08-7945-01 | STEEL LONG PIN | 4.5" x 3.4 | 1 | STEEL | |
| 2 | 04-1279-450X0 | STEEL SQ. CORN. COMMERCIAL HINGE-1 KNUCKLE LEAF | 4.5" x 4.5" x 3.4 | 1 | STEEL | |
| 1 | 04-1279-4500X | STEEL SQ. CORN. COMMERCIAL HINGE-2 KNUCKLE LEAF | 4.5" x 4.5" x 3.4 | 1 | STEEL | |
| STEEL STANDARD WEIGHT COMMERCIAL HINGE | | | | | | |
| SIZE | | | | | | 4.5" x 4.5" x 3.4 |
| ITEM NO. | | | | | | 04-1279-45008 |
| SGS DWG. NO. | | | | | | 1000 45 |
| UNIT: mm 3D: | | | | | | |
| PAGE: 1 OF 1 | | | | | | |
| DWG. NO. | | | | | | |

UNIT: mm

| NO. | REVISED | REVISION | SIGNATURE | REVISED DATE |
|-----|---------|----------|-----------|--------------|
| 1 | | | | |
| 2 | | | | |
| 3 | | | | |
| 4 | | | | |
| 5 | | | | |

3D:



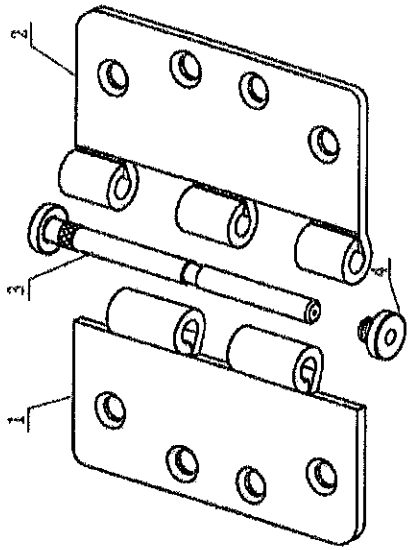
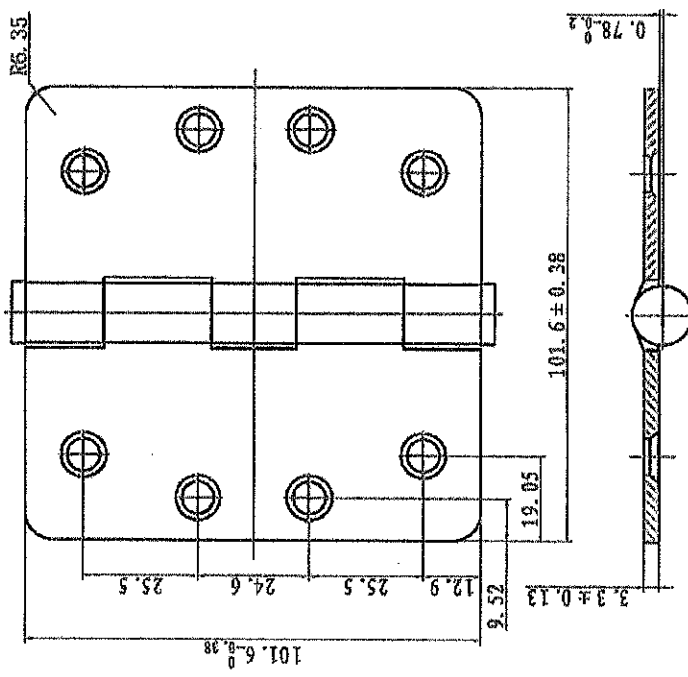
| NO. | DWG. NO. | DESCRIPTION | QTY. | MTL. BASE | SIZE | REMARKS |
|--------------|---------------|--|------|-----------|---------------|---|
| 4 | PT08-9140-02 | STEEL PLUG | 1 | STEEL | 4"×3.3 | |
| 3 | PT08-9135-01 | STEEL LONG PIN | 1 | STEEL | 3.5"×3.1 | |
| 2 | 04-1279-350X3 | STEEL 1/4" RD. PLAIN BEARING COMMERCIAL HINGE - 3 KNUCKLE LEAF | 1 | STEEL | 3.5"×3.5"×3.1 | |
| 1 | 04-1279-3503X | STEEL 1/4" RD. PLAIN BEARING COMMERCIAL HINGE - 2 KNUCKLE LEAF | 1 | STEEL | 3.5"×3.5"×3.1 | |
| NO. DWG. NO. | | DESCRIPTION | QTY. | MTL. BASE | SIZE | REMARKS |
| | | | | | | STEEL 1/4" RD. PLAIN BEARING COMMERCIAL HINGE |
| | | | | | SIZE | 3.5"×3.5"×3.1 |
| | | | | | ITEM NO. | 04-1279-35072 |
| | | | | | SGS DWG. NO. | 1014C 3.5 |
| | | | | | DWG. NO. | |

UNIT: mm 3D: PAGE: 1 OF 1

UNIT: mm

REVISION

| NO. | REVISED | REASON | DATE |
|-----|---------|--------|------|
| 1 | | | |
| 2 | | | |
| 3 | | | |
| 4 | | | |
| 5 | | | |

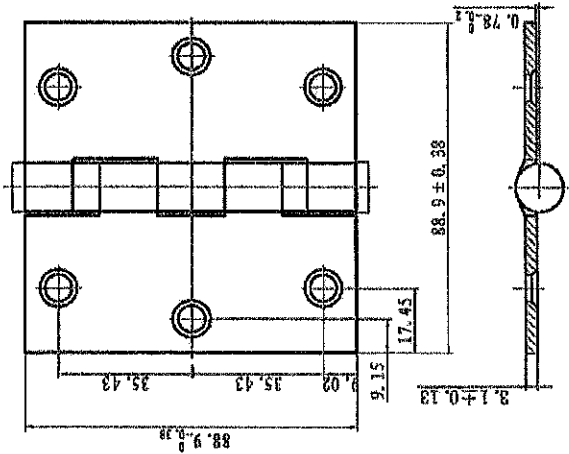


(FIT FOR 12# SCREW)

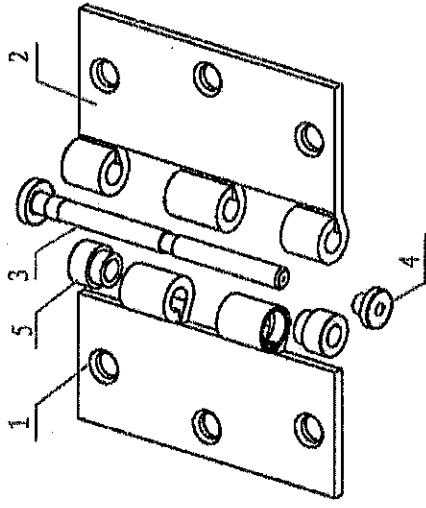
| NO. | DWG. NO. | DESCRIPTION | SIZE | QTY. | MTL. BASE | REMARKS |
|--------------|---------------|--|---------------|------|-----------|---------|
| 6 | | | | | | |
| 5 | | BALL BEARING | | | STEEL | |
| 4 | PT08-7940-02 | STEEL PLUG | 4" x 3.3 | 1 | STEEL | |
| 3 | PT08-7940-01 | STEEL LONG PIN | 4" x 3.3 | 1 | STEEL | |
| 2 | 04-1279-4402X | STEEL 1/4" RD. PLAIN BEARING COMMERCIAL HINGE-3 KNUCKLE LEAF | 4" x 4" x 3.3 | 1 | STEEL | |
| 1 | 04-1279-4402X | STEEL 1/4" RD. PLAIN BEARING COMMERCIAL HINGE-2 KNUCKLE LEAF | 4" x 4" x 3.3 | 1 | STEEL | |
| NO. DWG. NO. | | DESCRIPTION | SIZE | QTY. | MTL. BASE | REMARKS |
| | | STEEL 1/4" RD. PLAIN BEARING COMMERCIAL HINGE | | | | |
| | | SIZE | 4" x 4" x 3.3 | | | |
| | | ITEM NO. | 1014C 4.0 | | | |
| | | SGS DWG. NO. | | | | |
| | | UNIT: mm | 3D: | | | |
| | | PAGE: 1 OF 1 | | | | |
| | | DWG. NO. | | | | |

| NO. | REV. | REVISION | DATE |
|-----|------|----------|------|
| 1 | A0 | INITIAL | |
| 2 | | | |
| 3 | | | |
| 4 | | | |
| 5 | | | |

3D:



FIT FOR 10# SCREW (WITH # HEAD)

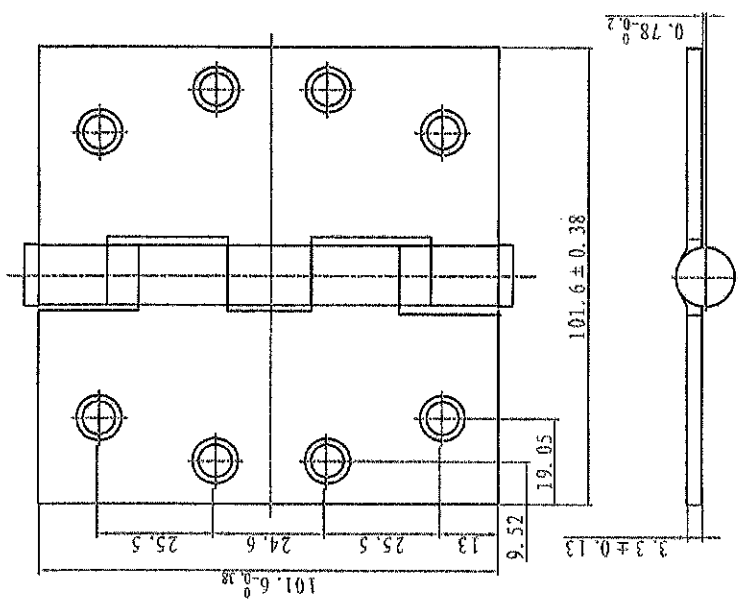


| NO. | DWG. NO. | DESCRIPTION | QTY. | MT. BASE | SIZE | REMARKS | | | | | | | | | | |
|---|------------------------------------|--------------------|------|----------|--------------|---------|-------------|------------------------------------|------|-----------------------|----------|-----------|--------------|--|----------|--|
| 5 | BT6970-0E | Ball Bearing | 2 | | 6.9*13.4*7.0 | | | | | | | | | | | |
| 4 | PT08-7940-02 | STEEL PLUG | 1 | STEEL | 4*3.3 | | | | | | | | | | | |
| 3 | PT08-7935-01 | STEEL LONG PIN | 1 | STEEL | 3.5*3.1 | | | | | | | | | | | |
| 2 | 04-1279-352X1 | STEEL BALL BEARING | 1 | STEEL | 3.5*3.5*3.1 | | | | | | | | | | | |
| 1 | 04-1279-352X1 | STEEL BALL BEARING | 1 | STEEL | 3.5*3.5*3.1 | | | | | | | | | | | |
| <table border="1"> <thead> <tr> <th>DESCRIPTION</th> <th>STEEL STANDARD WEIGHT BALL BEARING</th> </tr> </thead> <tbody> <tr> <td>SIZE</td> <td>3.5*3.5*3.1 (1.575平线)</td> </tr> <tr> <td>ITEM NO.</td> <td>B1000 3.5</td> </tr> <tr> <td>SSS DWG. NO.</td> <td></td> </tr> <tr> <td>DWG. NO.</td> <td></td> </tr> </tbody> </table> | | | | | | | DESCRIPTION | STEEL STANDARD WEIGHT BALL BEARING | SIZE | 3.5*3.5*3.1 (1.575平线) | ITEM NO. | B1000 3.5 | SSS DWG. NO. | | DWG. NO. | |
| DESCRIPTION | STEEL STANDARD WEIGHT BALL BEARING | | | | | | | | | | | | | | | |
| SIZE | 3.5*3.5*3.1 (1.575平线) | | | | | | | | | | | | | | | |
| ITEM NO. | B1000 3.5 | | | | | | | | | | | | | | | |
| SSS DWG. NO. | | | | | | | | | | | | | | | | |
| DWG. NO. | | | | | | | | | | | | | | | | |

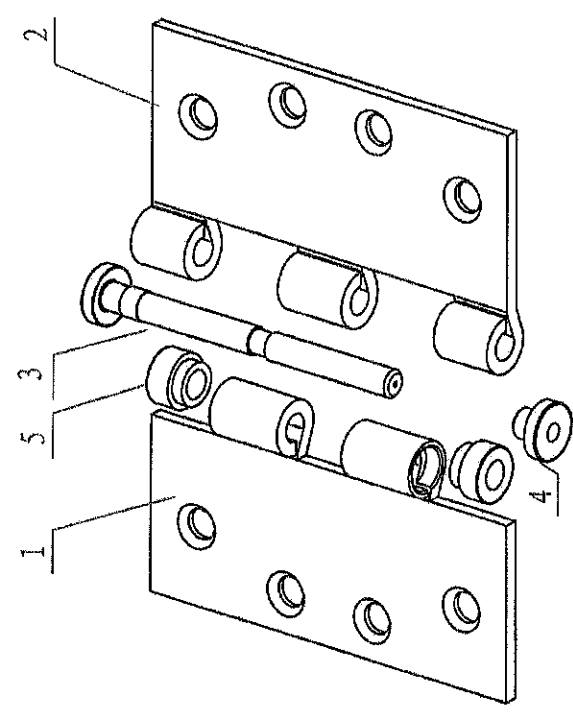
UNIT: mm 3D: PAGE: 1 OF 1

UNIT: mm

| NO. | REVISED | VERSION | REVISION | SIGNATURE | REVISED DATE |
|-----|---------|---------|----------|-----------|--------------|
| 1 | | A0 | INITIAL | | |
| 2 | | | | | |
| 3 | | | | | |
| 4 | | | | | |
| 5 | | | | | |



3D:



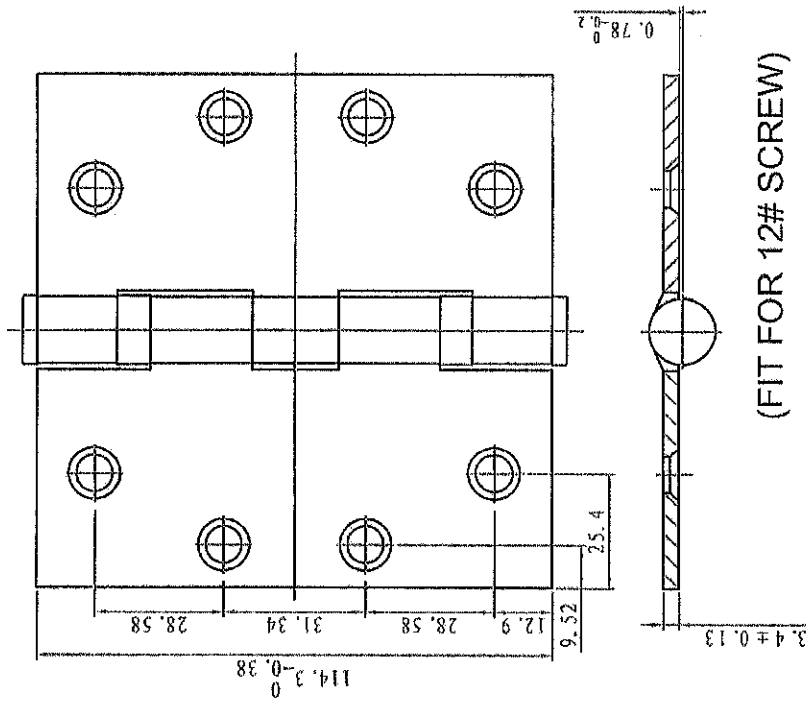
(FIT FOR 12# SCREW)

| NO. | DWG. NO. | DESCRIPTION | SIZE | QTY. | MTL. BASE | REMARKS |
|-----|---------------|--|--|------|-----------|---------|
| 6 | | | | | | |
| 5 | BT6913470-0H | BALL BEARING | $\phi 6.9 \times \phi 13.4 \times 7.0$ | 2 | STEEL | |
| 4 | PT08-7940-02 | STEEL PLUG | $3.5'' \times 3.1/4'' \times 3.3$ | 1 | STEEL | |
| 3 | PT08-7940-01 | STEEL LONG PIN | $4'' \times 3.3$ | 1 | STEEL | |
| 2 | 04-1279-442X0 | STEEL BALL COMMERCIAL HINGE-3 NICKALEP | $4'' \times 4'' \times 3.3$ | 1 | STEEL | |
| 1 | 04-1279-4420X | STEEL STD. CORN. COMMERCIAL HINGE-2 REDUCE LEAF | $4'' \times 4'' \times 3.3$ | 1 | STEEL | |

| DESCRIPTION | SIZE | ITEM NO. | SGS DWG. NO. | DWG. NO. |
|---|-----------------------------|---------------|--------------|----------|
| STEEL STANDARD WEIGHT 2 BALL BEARING COMMERCIAL HINGE | $4'' \times 4'' \times 3.3$ | 04-1279-44208 | B81000 | 4.0 |
| | | | | |
| | | | | |
| | | | | |

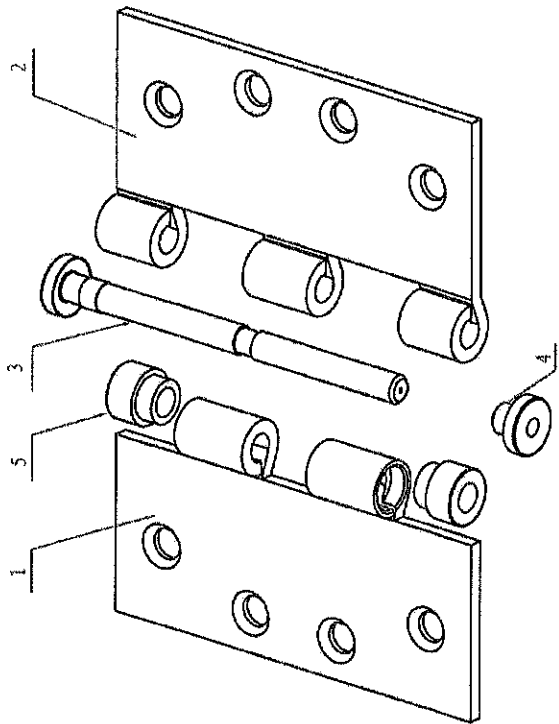
UNIT: mm 3D: PAGE: 1 OF 1

UNIT: mm



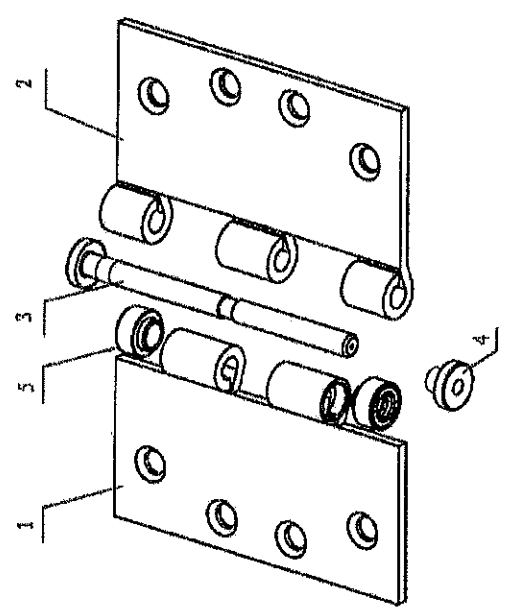
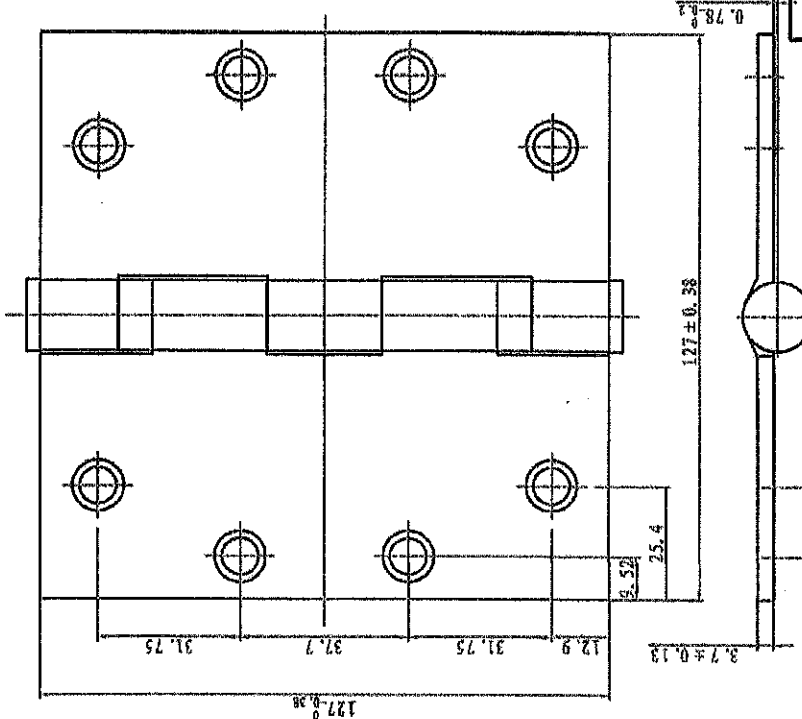
(FIT FOR 12# SCREW)

| NO. | SYMBOL | VERSION | REVISION | SIGNATURE | REVISED DATE |
|-----|--------|---------|----------|-----------|--------------|
| 1 | | A0 | INITIAL | | |
| 2 | | | | | |
| 3 | | | | | |
| 4 | | | | | |
| 5 | | | | | |



| NO. | DWG. NO. | DESCRIPTION | SIZE | QTY. | MTL. BASE | REMARKS |
|--------------|---------------|---|--|------|-----------|---------|
| 6 | | | | | | |
| 5 | BT821578-0H | BALL BEARING | $\phi 8.2 \times \phi 15.5 \times 7.8$ | 2 | STEEL | |
| 4 | PT08-7945-02 | STEEL PLUG | 4.5" x 3.4 | 1 | STEEL | |
| 3 | PT08-7945-01 | STEEL LONG PIN | 4.5" x 3.4 | 1 | STEEL | |
| 2 | 04-1279-452X0 | STEEL STD. COMM. HINGE-3 INSIDE LEAF | 4.5" x 4.5" x 3.4 | 1 | STEEL | |
| 1 | 04-1279-4520X | STEEL STD. COMM. HINGE-2 INSIDE LEAF | 4.5" x 4.5" x 3.4 | 1 | STEEL | |
| NO. DWG. NO. | | DESCRIPTION | SIZE | QTY. | MTL. BASE | REMARKS |
| | | STEEL STANDARD WEIGHT 2 BALL BEARING COMMERCIAL HINGE | | | | |
| | | SIZE | 4.5" x 4.5" x 3.4 | | | |
| | | ITEM NO. | 04-1279-45208 | | | |
| | | SGS DWG. NO. | BB1000 4.5 | | | |
| | | UNIT: mm | 3D: | | | |
| | | PAGE: 1 OF 1 | DWG. NO. | | | |

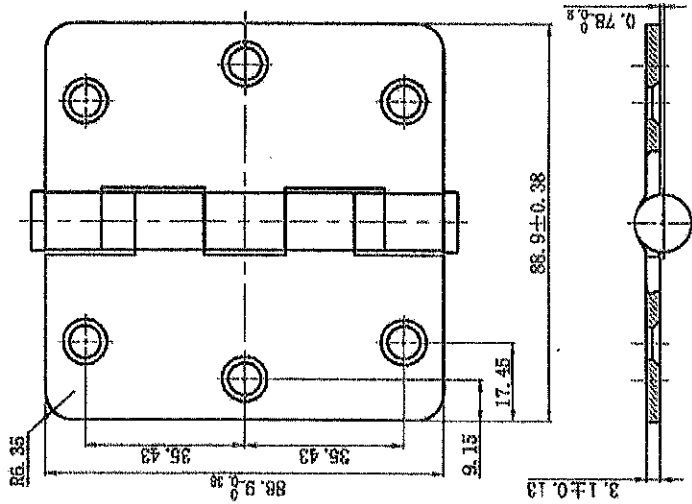
UNIT: mm



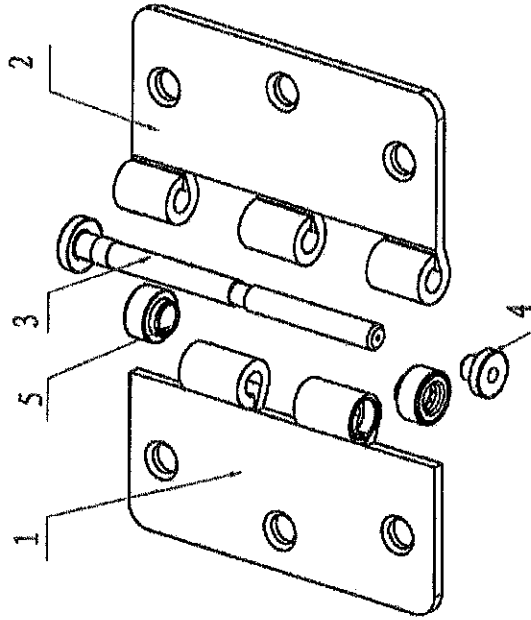
| NO. | SYMBOL | VERSION | REVISION | SIGNATURE | REVISED DATE |
|-----|--------|---------|----------|-----------|--------------|
| 1 | | A0 | INITIAL | | |
| 2 | | | | | |
| 3 | | | | | |
| 4 | | | | | |
| 5 | | | | | |

| NO. | DWG. NO. | DESCRIPTION | SIZE | QTY. | MTL. BASE | REMARKS |
|-----|---------------|---|-------------------|------|-----------|---------|
| 5 | BT8616476-08 | BALL BEARING | Ø8. 6*Ø16. 4*7. 6 | 2 | STEEL | |
| 4 | PT08-7950-02 | STEEL PLUG | 5*3.7 | 1 | STEEL | |
| 3 | PT08-7950-01 | STEEL LONG PIN | 5*3.7 | 1 | STEEL | |
| 2 | 04-1279-552X0 | STEEL SCL CORN. COMMERCIAL HINGE-3 KNUCKLE LEAF | 5*5*3.7 | 1 | STEEL | |
| 1 | 04-1279-5520X | STEEL SCL CORN. COMMERCIAL HINGE-2 KNUCKLE LEAF | 5*5*3.7 | 1 | STEEL | |
| | | DESCRIPTION | SIZE | QTY. | MTL. BASE | REMARKS |
| | | STEEL STANDARD WERSHT 2 BALL BEARING COMMERCIAL HINGE | | | | |
| | | SIZE | 5" x 5" x 3.7 | | | |
| | | ITEM NO. | BB1000 5.0 | | | |
| | | SGS DWG. NO. | | | | |
| | | UNIT: mm | 3D: | | | |
| | | PAGE: 1 OF 1 | | | | |

UNIT: mm



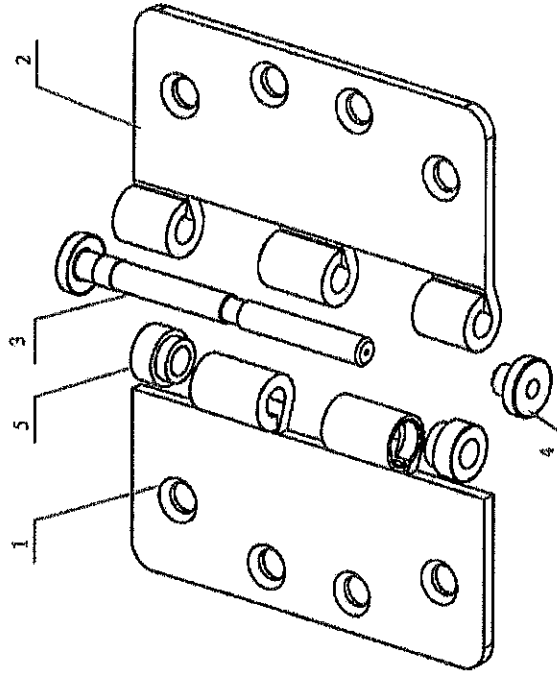
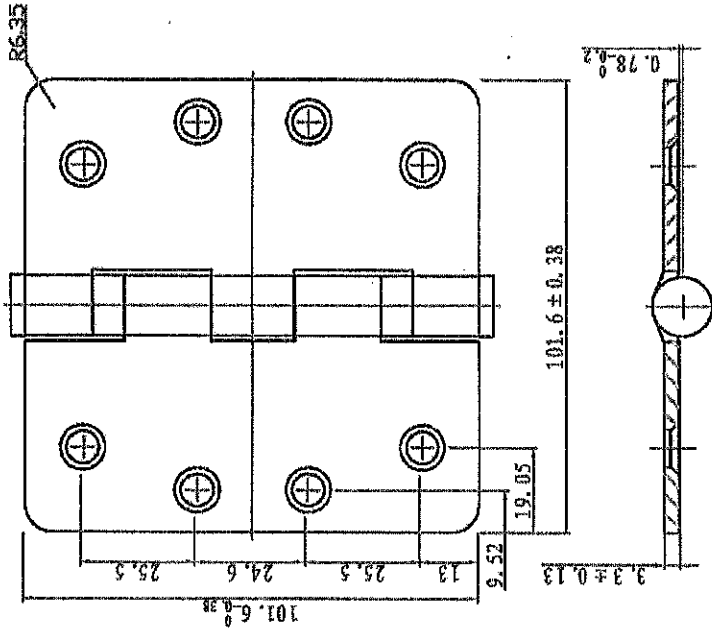
| NO. REVISED | | REVISION | | SIGNATURE | | REVISED DATE | |
|-------------|--|----------|--|-----------|--|--------------|--|
| 1 | | | | | | | |
| 2 | | | | | | | |
| 3 | | | | | | | |
| 4 | | | | | | | |
| 5 | | | | | | | |



| NO. | DWG. NO. | DESCRIPTION | SIZE | QTY. | MTL. BASE | REMARKS |
|--------------|---------------|---|--|------|-----------|---------------------------------|
| 5 | BT6913470-0H | BALL BEARING | $\Phi 6.9 \times \Phi 13.4 \times 7.0$ | 2 | STEEL | STEEL 1/4\"/> |
| 4 | PT08-7940-02 | STEEL PLUG | 4" \times 3.3 | 1 | STEEL | COMMERCIAL HINGE |
| 3 | PT08-7935-01 | STEEL LONG PIN | 3.5" \times 3.1 | 1 | STEEL | 3.5" \times 3.5" \times 3.1 |
| 2 | 04-1279-352X2 | STEEL 1/4" RD. BALL BEARING COMMERCIAL HINGE-3 HOLE/2 KLEAF | 3.5" \times 3.5" \times 3.1 | 1 | STEEL | ITEM NO. 221014 3.5 |
| 1 | 04-1279-3522X | STEEL 1/4" RD. BALL BEARING COMMERCIAL HINGE-2 HOLE/2 KLEAF | 3.5" \times 3.5" \times 3.1 | 1 | STEEL | SGS DWG. NO. |
| NO. DWG. NO. | | DESCRIPTION | SIZE | QTY. | MTL. BASE | REMARKS |
| | | STEEL 1/4" RD. BALL BEARING COMMERCIAL HINGE | | | | |
| | | SIZE | | | | |
| | | ITEM NO. | | | | |
| | | SGS DWG. NO. | | | | |
| | | UNIT: mm | 3D: | | | |
| | | PAGE: 1 OF 1 | | | | |
| | | DWG. NO. | | | | |

UNIT: mm

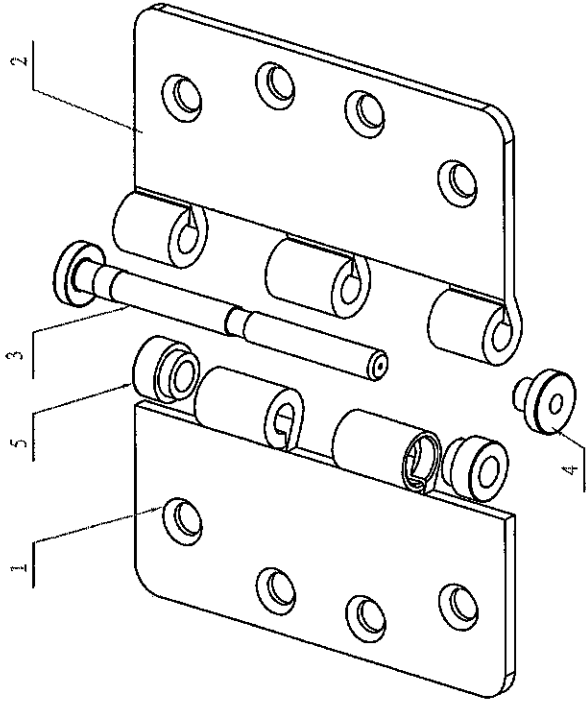
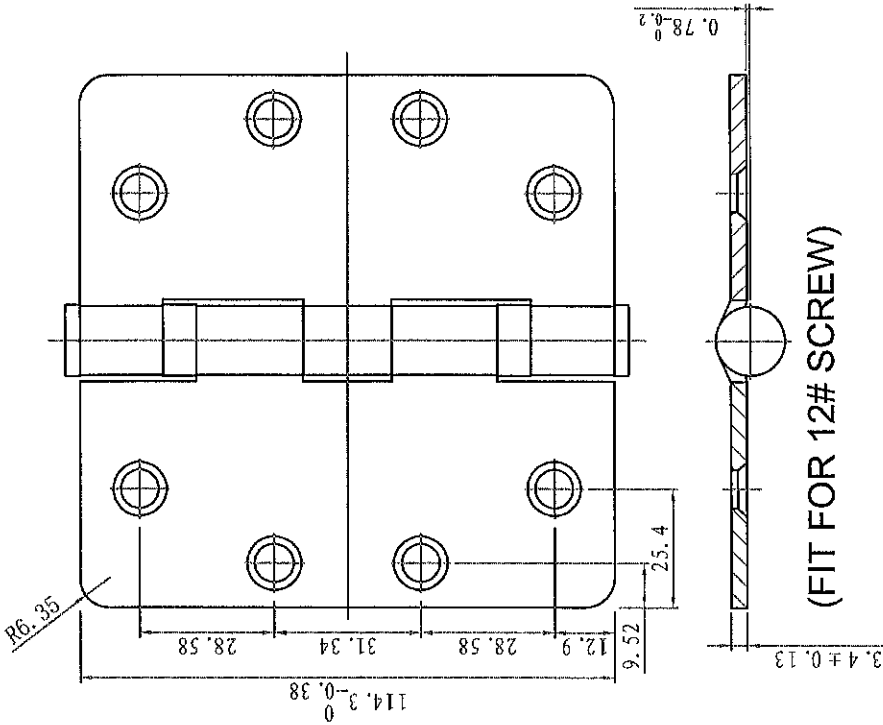
| NO. IN CHG. | | REVISION | | SIGNATURE | | REVISED DATE | |
|-------------|--|----------|--|-----------|--|--------------|--|
| 1 | | | | | | | |
| 2 | | | | | | | |
| 3 | | | | | | | |
| 4 | | | | | | | |
| 5 | | | | | | | |



(FIT FOR 12# SCREW)

| NO. | DWG. NO. | DESCRIPTION | SIZE | QTY. | MTL. BASE | REMARKS |
|-----|---------------|---|--|------|-----------|---|
| 5 | BT6913470-0H | BALL BEARING | $\phi 13.4 \times \phi 6.9 \times 7.0$ | 2 | STEEL | STEEL 1/4" RD. BALL BEARING COMMERCIAL FRINGE |
| 4 | PT08-7940-02 | STEEL PLUG | $4'' \times 3.3/3.5'' \times 3.1$ | 1 | STEEL | |
| 3 | PT08-7940-01 | STEEL LONG PIN | $4'' \times 3.3$ | 1 | STEEL | |
| 2 | 04-1279-442X2 | STEEL 1/4" BALL BEARING COMMERCIAL FRINGE - 3 INCHES DIA. | $4'' \times 4'' \times 3.3$ | 1 | STEEL | |
| 1 | 04-1279-4422X | STEEL 1/4" BALL BEARING COMMERCIAL FRINGE - 4 INCHES DIA. | $4'' \times 4'' \times 3.3$ | 1 | STEEL | |
| | | DESCRIPTION | SIZE | QTY. | MTL. BASE | REMARKS |
| | | STEEL 1/4" RD. BALL BEARING COMMERCIAL FRINGE | | | | |
| | | SIZE | $4'' \times 4'' \times 3.3$ | | | |
| | | ITEM NO. | B61014 4.0 | | | |
| | | SSG DWG. NO. | | | | |
| | | UNIT: mm | 3D: ϕ | | | |
| | | PAGE: 1 OF 1 | | | | |

UNIT: mm



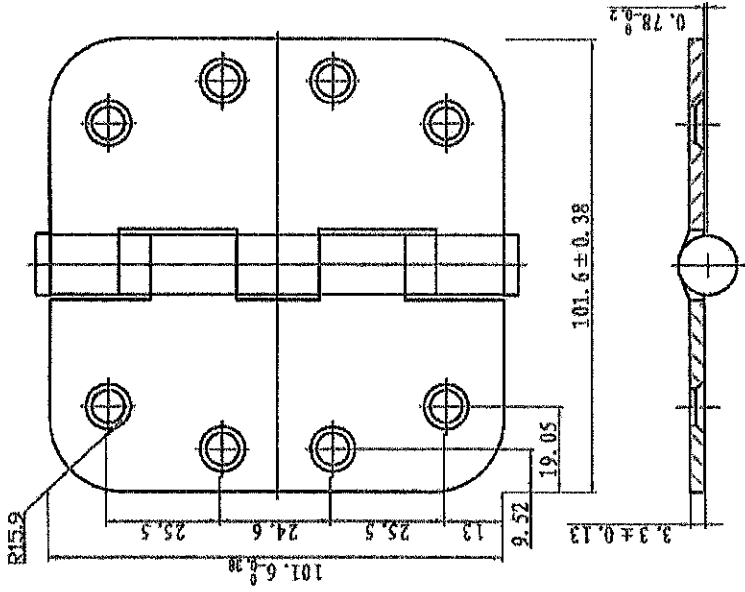
| NO. | SYMBOL | VERSION | REVISION | SIGNATURE | REVISED DATE |
|-----|--------|---------|----------|-----------|--------------|
| 1 | | | | | |
| 2 | | | | | |
| 3 | | | | | |
| 4 | | | | | |
| 5 | | | | | |

| | | | | | | | | | | | | | | | | | | | | |
|-------------|---------------|---|--|-----------------|-------|--|--|-------------------|--|--|--|--|--|--|--|--|--|--|--|--|
| 6 | | | | | | | | | | | | | | | | | | | | |
| 5 | BT8215578-0H | BALL BEARING | $\phi 8.2 \times \phi 15.5 \times 7.8$ | 2 | STEEL | | | | | | | | | | | | | | | |
| 4 | PT08-7945-02 | STEEL PLUG | 4.5" x 3.4 | 1 | STEEL | | | | | | | | | | | | | | | |
| 3 | PT08-7945-01 | STEEL LONG PIN | 4.5" x 3.4 | 1 | STEEL | | | | | | | | | | | | | | | |
| 2 | 04-1279-452X2 | STEEL 1/4" RD. BALL BEARING COMMERCIAL HINGE - 2 KNURLED LEAF | 4.5" x 4.5" x 3.4 | 1 | STEEL | | | | | | | | | | | | | | | |
| 1 | 04-1279-4522X | STEEL 1/4" RD. BALL BEARING COMMERCIAL HINGE - 2 KNURLED LEAF | 4.5" x 4.5" x 3.4 | 1 | STEEL | | | | | | | | | | | | | | | |
| NO DWG. NO. | | DESCRIPTION | SIZE | QTY / MTL. BASE | | REMARKS | | | | | | | | | | | | | | |
| | | | | | | STEEL 1/4" RD. BALL BEARING COMMERCIAL HINGE | | | | | | | | | | | | | | |
| | | | | | | SIZE | | 4.5" x 4.5" x 3.4 | | | | | | | | | | | | |
| | | | | | | ITEM NO. | | 04-1279-45272 | | | | | | | | | | | | |
| | | | | | | UNIT: mm | | 3D | | | | | | | | | | | | |
| | | | | | | PAGE: 1 OF 1 | | | | | | | | | | | | | | |
| | | | | | | SCS DWG. NO. | | BB0114 4.5 | | | | | | | | | | | | |
| | | | | | | DWG. NO. | | | | | | | | | | | | | | |

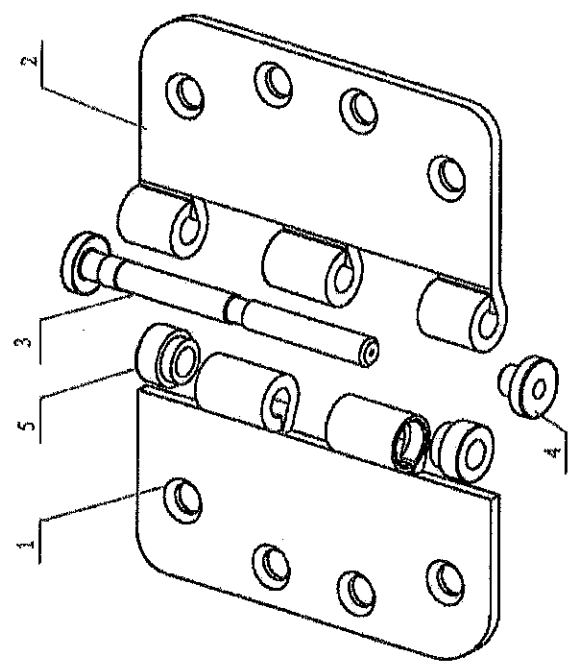
UNIT: mm

REVISION

| NO. | DATE | REVISION | REVISION DATE |
|-----|------|----------|---------------|
| 1 | | | |
| 2 | | | |
| 3 | | | |
| 4 | | | |
| 5 | | | |



(FIT FOR 12# SCREW)

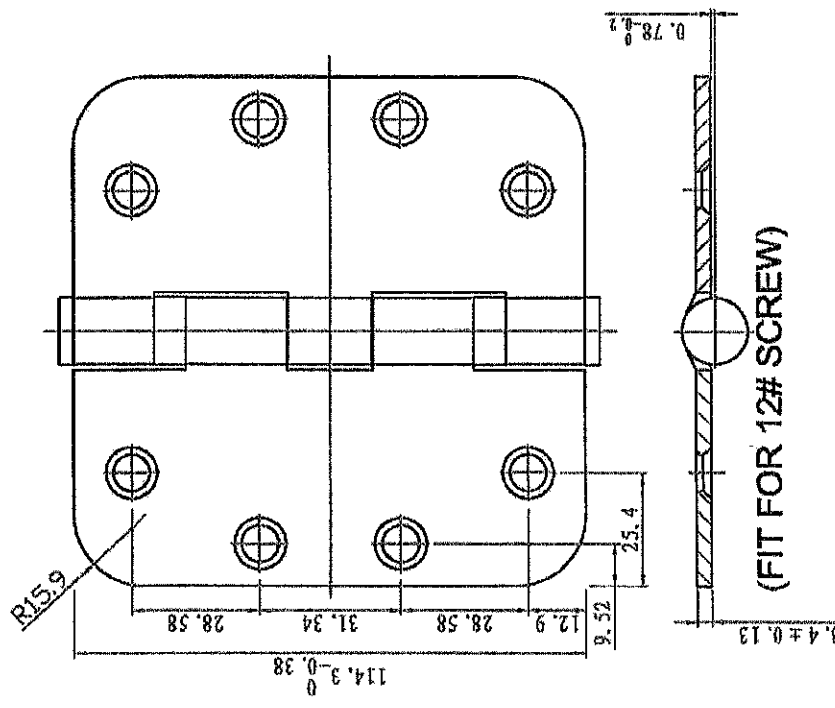


| NO. | DWG. NO. | DESCRIPTION | SIZE | QTY. | MTL. BASE | REMARKS |
|-----|---------------|--|--|------|-----------|---------|
| 5 | BT6913470-08 | BALL BEARING | $\phi 13.4 \times \phi 6.9 \times 7.0$ | 2 | STEEL | |
| 4 | PT08-7940-02 | STEEL PLUG | $4'' \times 3.3/3.5'' \times 3.1$ | 1 | STEEL | |
| 3 | PT08-7940-01 | STEEL LONG PIN | $4'' \times 3.3$ | 1 | STEEL | |
| 2 | 04-1279-442X5 | STEEL 6083 BALL BEARING COMMERCIAL WIDE-RANGE BALL BEARING | $4'' \times 4'' \times 3.3$ | 1 | STEEL | |
| 1 | 04-1279-4425X | STEEL 6083 BALL BEARING COMMERCIAL WIDE-RANGE BALL BEARING | $4'' \times 4'' \times 3.3$ | 1 | STEEL | |

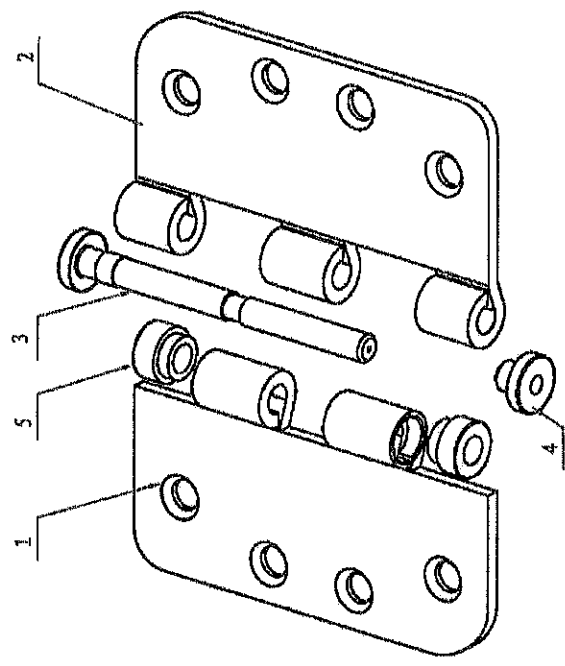
| DESCRIPTION | SIZE | ITEM NO. | QTY. | DWG. NO. |
|--|-----------------------------|-----------|------|----------|
| STEEL 6083 BALL BEARING COMMERCIAL HINGE | $4'' \times 4'' \times 3.3$ | P. 210532 | 4.0 | |
| | | | | |
| | | | | |
| | | | | |

JMT: mmt 3D: PAGE: 1 OF 1

UNIT: mm



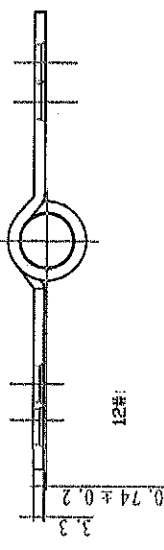
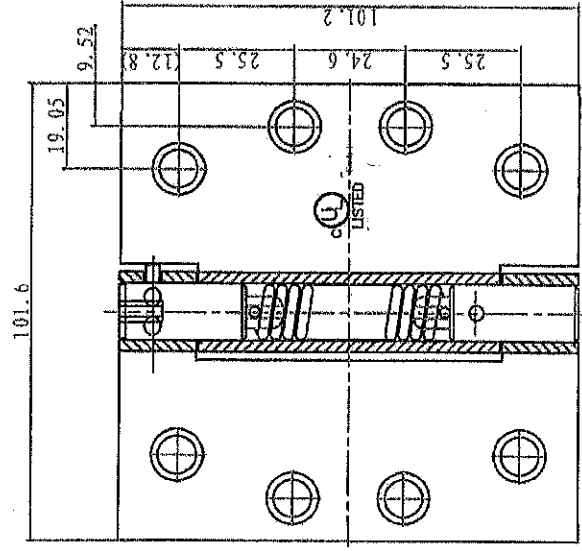
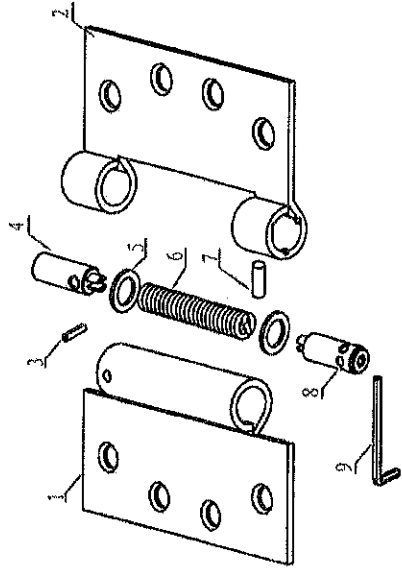
| NO. | SYMBOL | REVISION | DATE |
|-----|--------|----------|------|
| 1 | | | |
| 2 | | | |
| 3 | | | |
| 4 | | | |
| 5 | | | |



| NO. | DWG. NO. | DESCRIPTION | SIZE | QTY. | MTL. BASE | REMARKS |
|--------------|---------------|--|--|------|-----------|---------|
| 6 | | | | | | |
| 5 | BT8215578-0E | BALL BEARING | $\phi 8.2 \times \phi 15.5 \times 7.8$ | 2 | STEEL | |
| 4 | PT08-7945-02 | STEEL PLUG | $4.5'' \times 3.4$ | 1 | STEEL | |
| 3 | PT08-7945-01 | STEEL LONG PIN | $4.5'' \times 3.4$ | 1 | STEEL | |
| 2 | 04-1279-452X5 | STEEL W/FL BALL BEARING COMMERCIAL HINGE-3/16X3/8 LEAF | $4.5'' \times 4.5'' \times 3.4$ | 1 | STEEL | |
| 1 | 04-1279-4525X | STEEL W/FL BALL BEARING COMMERCIAL HINGE-3/16X3/8 LEAF | $4.5'' \times 4.5'' \times 3.4$ | 1 | STEEL | |
| NO. DWG. NO. | | DESCRIPTION | SIZE | QTY. | MTL. BASE | REMARKS |
| | | STEEL W/FL BALL BEARING COMMERCIAL HINGE | | | | |
| | | SIZE | $4.5'' \times 4.5'' \times 3.4$ | | | |
| | | ITEM NO. | B0658 4.5 | | | |
| | | UNIT: mm | 3D | | | |
| | | PAGE: | 1 OF 1 | | | |

| NO. | SYMBOL | REVISION | SIGNATURE | REVISED DATE |
|-----|--------|----------|-----------|--------------|
| 1 | | | | |
| 2 | | | | |
| 3 | | | | |
| 4 | | | | |
| 5 | | | | |

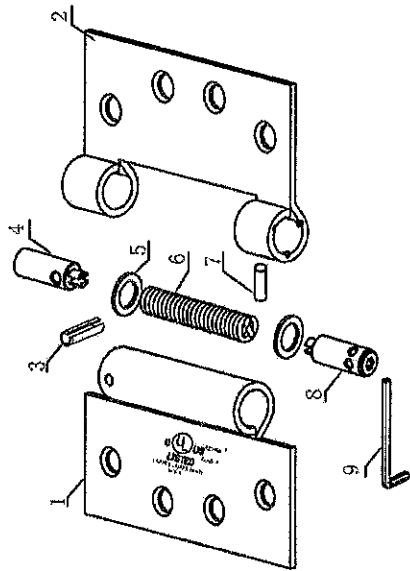
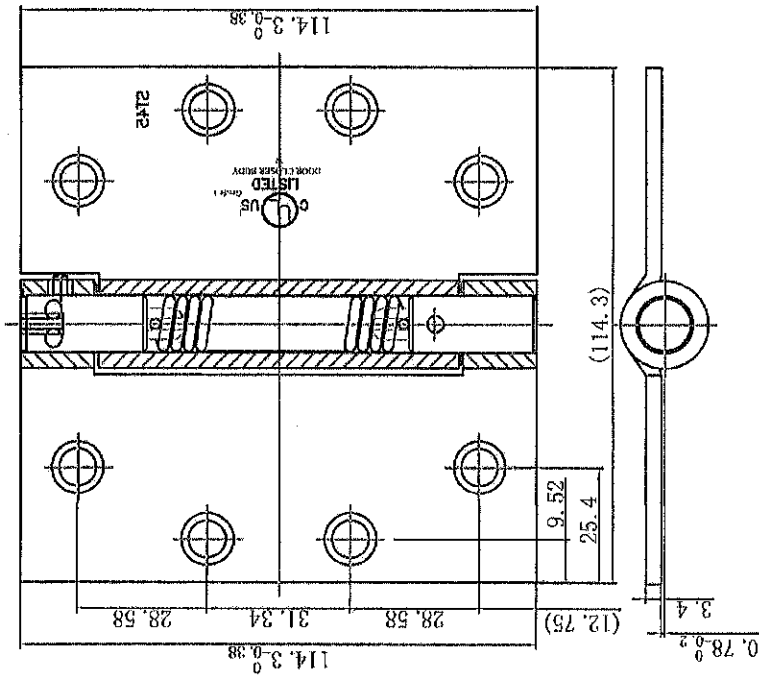
3D:



| NO. | DWG. NO. | DESCRIPTION | SIZE | QTY. | MTL. BASE | REMARKS |
|--------------|---------------|--|----------------------|------|-----------|---------------|
| 9 | 450-0200 | HEX KEY | 4 x 4.62 L63.5 | 1 | STEEL | |
| 7 | 457-0715 | LOCKING PIN | φ 3.17 L16.5 | 1 | STEEL | |
| 8 | CP0440-01 | TOP PINTLE | φ 12.2 x φ 11.1 L23 | 1 | STEEL | |
| 6 | SP0100-01 | SPRING | φ 12.2 / φ 2.3 L50.5 | 1 | SPRING | |
| 5 | 457-0250 | NYLON WASHER | φ 17.4 x φ 13 | 2 | NYLON | |
| 4 | 457-0540 | BOTTOM PINTLE | φ 12.62 L28.4 | 1 | STEEL | |
| 3 | GP3218-01 | GROOVE PIN | φ 3.2 L18 | 1 | STEEL | |
| 2 | 23-1250-440X0 | SQUARE SPRING HINGE - DOUBLE KNUCKLE LEAF | 4" x 4" x 3.3 | 1 | STEEL | 23-1250-440A0 |
| 1 | 23-1250-4400X | SQUARE SPRING HINGE - SINGLE KNUCKLE LEAF | 4" x 4" x 3.3 | 1 | STEEL | |
| NO. DWG. NO. | | DESCRIPTION | SIZE | QTY. | MTL. BASE | REMARKS |
| | | 95# SO COMMERCIAL SPRING HINGE | | | | |
| | | SIZE | 4" x 4" x 3.3 | | | |
| | | ITEM NO. | 23-1250-44012 | | | |
| | | SGS DWG. NO. | 5000 | | | 4.0 |
| | | DWG. NO. | | | | |

VERSION: A0 3D: PAGE 1 OF 1

Unit: mm



| NO. | SYMBOL | REVISION | SIGNATURE | REVISED DATE |
|-----|--------|----------|-----------|--------------|
| 1 | | | | |
| 2 | | | | |
| 3 | | | | |
| 4 | | | | |
| 5 | | | | |

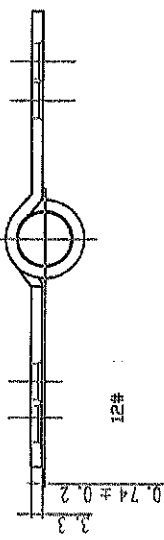
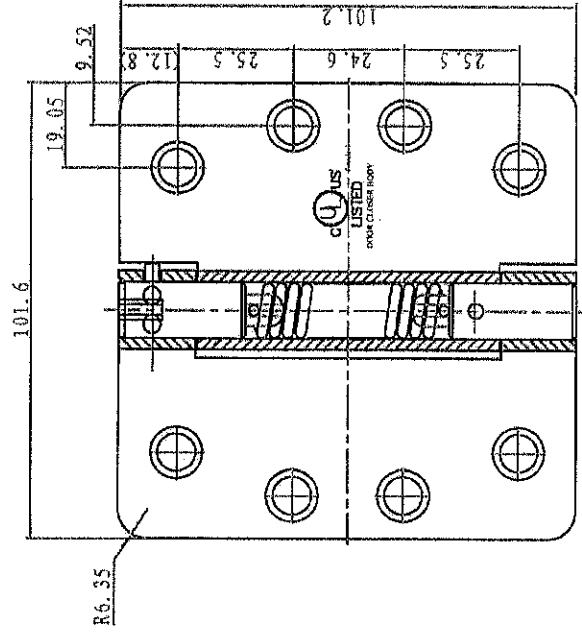
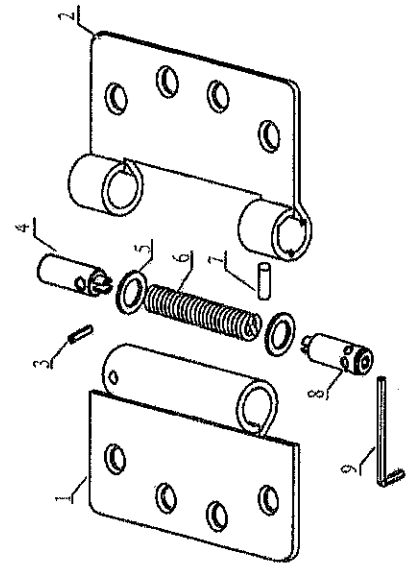
| NO. | DWG. NO. | DESCRIPTION | SIZE | QTY. | MTL. BASE | REMARKS |
|-----|---------------|--|--------------------|------|-----------|---------------------|
| 9 | 450-0200 | HEX KEY | 4 x 4.62 L63.5 | 1 | STEEL | |
| 8 | 457-0440 | TOP PINTLE | φ12.2 x φ11.1 L28 | 1 | STEEL | |
| 7 | 457-0705 | LOCKING PIN | φ3.17 L17.5 | 1 | STEEL | |
| 6 | 457-0110 | SPRING | φ12.2 / φ2.3 L56.8 | 1 | SPRING | |
| 5 | 457-0298 | NYLON WASHER | φ19.05 x φ13 | 2 | NYLON | |
| 4 | 457-0540 | BOTTOM PINTLE | φ12.62 L28.4 | 1 | STEEL | |
| 3 | 0P3219-01 | GROOVE PIN | φ3.2 L19.05 | 1 | STEEL | |
| 2 | 23-1250-450X0 | SO. CORN. SPRING HINGE - DOUBLE KNUCKLE LEAF | 4.5" X 4.5" X 3.4 | 1 | STEEL | LEAF: 23-1250-450A0 |
| 1 | 23-1250-450X1 | SO. CORN. SPRING HINGE - SINGLE KNUCKLE LEAF | 4.5" X 4.5" X 3.4 | 1 | STEEL | |

| DESCRIPTION | SIZE | ITEM NO. | SGS DWG. NO. | DWG. NO. |
|---------------------------------------|-------------------|---------------|--------------|----------|
| 23# SQ. CORN. COMMERCIAL SPRING HINGE | 4.5" X 4.5" X 3.4 | 23-1250-45012 | 5000 | 4.5 |
| | | | GT-0911-169 | |

VERSION: A0 3D: PAGE 1 OF 1

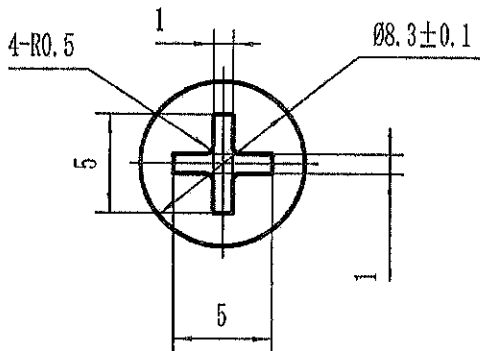
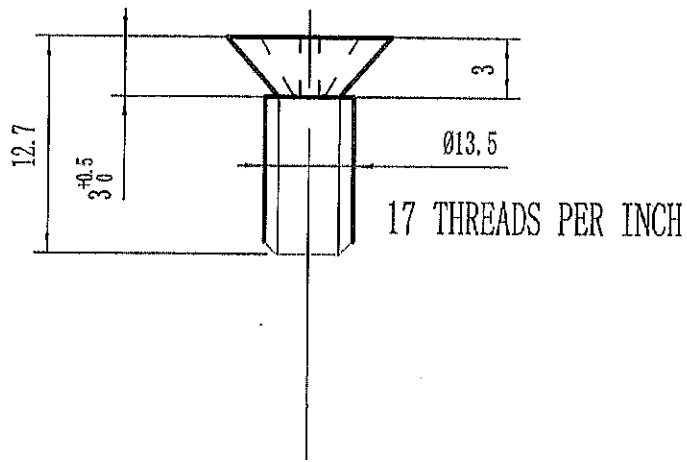
| NO. | SYMBOL | REVISION | SIGNATURE | REVISED DATE |
|-----|--------|----------|-----------|--------------|
| 1 | | | | |
| 2 | | | | |
| 3 | | | | |
| 4 | | | | |
| 5 | | | | |

3D:

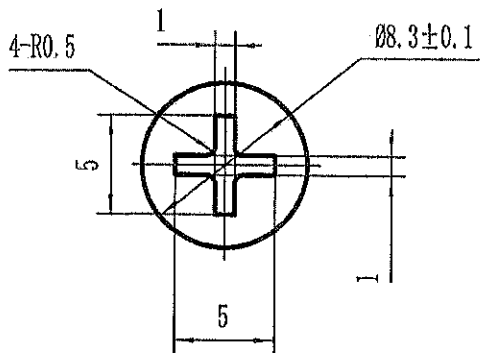
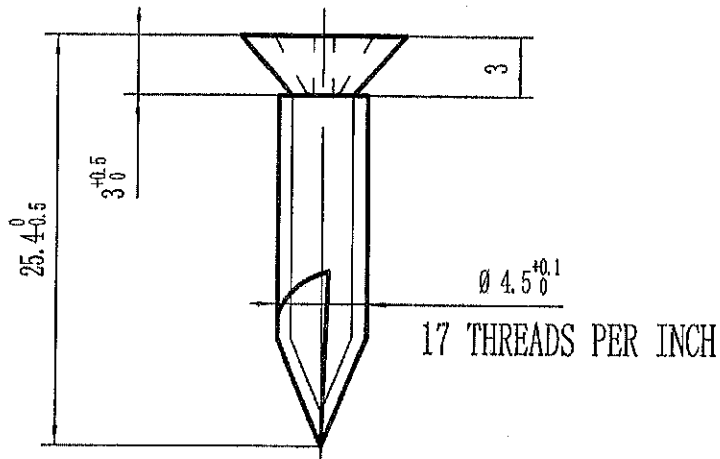


| NO. | DWG. NO. | DESCRIPTION | SIZE | QTY. | MT. BASE | REMARKS |
|-----|---------------|---|-------------------------------------|------|----------|---------------|
| 9 | 450-0200 | HEX KEY | 4 x 4.62 L63.5 | 1 | STEEL | |
| 8 | 457-0436 | TOP PINTLE | φ12.2 x φ11.1 L28 | 1 | SS | |
| 7 | 457-0713 | LOCKING PIN | φ3.17 L16.5 | 1 | SS | |
| 6 | 457-0114 | SPRING | φ12.2 / φ2.3 L44.2 | 1 | SPRING | |
| 5 | 457-0298 | NYLON WASHER | φ19.05 x φ13 T0.79 | 2 | NYLON | |
| 4 | 457-0536 | BOTTOM PINTLE | φ12.62 L28.4 | 1 | SS | |
| 3 | 457-0402 | GROOVE PIN | φ3.17 L19.05 | 1 | SS | |
| 2 | 23-1250-441X2 | 1/2" RD. SPRING HINGE - DOUBLE KNUCKLE LEAF | 4" X 4" X 3.3 | 1 | SS | 23-1250-441A2 |
| 1 | 23-1250-441X | 1/2" RD. SPRING HINGE - SINGLE KNUCKLE LEAF | 4" X 4" X 3.3 | 1 | SS | |
| | | DESCRIPTION | SIZE | QTY. | MT. BASE | REMARKS |
| | | DESCRIPTION | SS 1/2" RD. COMMERCIAL SPRING HINGE | | | |
| | | SIZE | 4" X 4" X 3.3 | | | |
| | | ITEM NO. | 23-1250-44122 | | | |
| | | SGS DWG NO. | 5014 4.0 | | | |
| | | DWG. NO. | | | | |

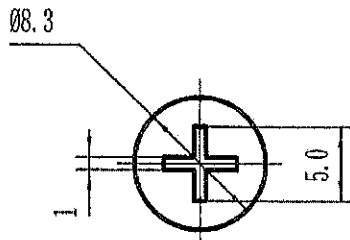
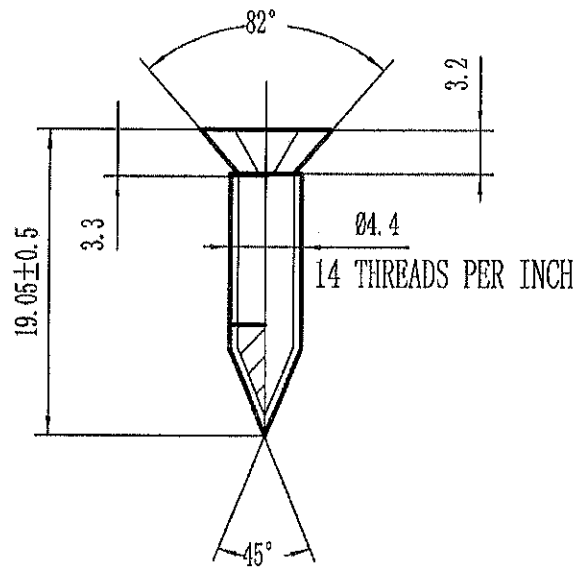
VERSION: A0 3D:
 PAGE 1 OF 1



| | | | | | | | | | |
|------------|----------|------|------|-----------------------|----|-------|--|--|--|
| | | | | 9#X1/2" MACHINE SCREW | | | | | |
| MARK | FILE NO. | SIGN | DATE | | | | | | |
| DRAW BY | | | | | | | | | |
| CHECK BY | | | | | | | | | |
| REVIEW BY | | | | | | | | | |
| APPROVE BY | | | | WEIGHT: | kg | SCALE | | | |



| | | | | | | | | | | | |
|------------|----------|------|------|--------------------------|----|-------|--|--|--|--|--|
| | | | | 9#X1" SELF-TAPPING SCREW | | | | | | | |
| MARK | FILE NO. | SIGN | DATE | | | | | | | | |
| DRAW BY | | | | | | | | | | | |
| CHECK BY | | | | | | | | | | | |
| REVIEW BY | | | | | | | | | | | |
| APPROVE BY | | | | WEIGHT: | kg | SCALE | | | | | |

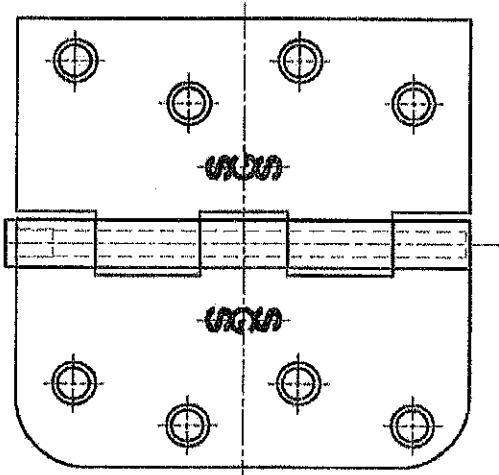
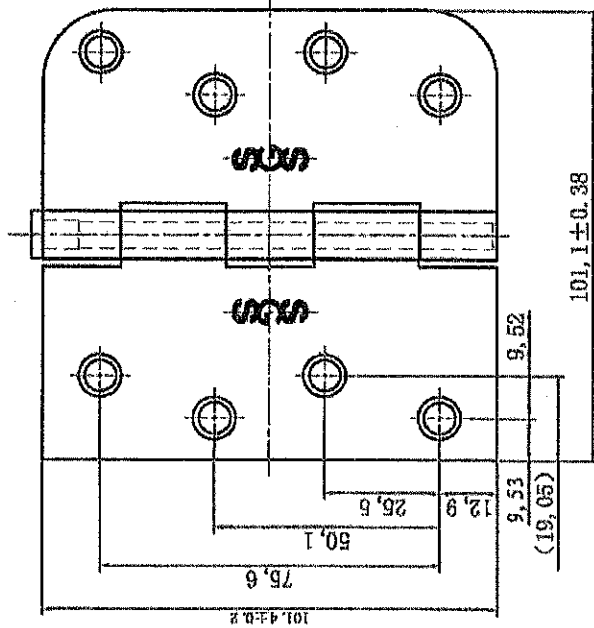


| | | | | | | | | | |
|------------|----------|------|------|---------|---------------|--|-------|-----|--|
| | | | | | 9#X3/4" SCREW | | | | |
| Mark | File No. | Sign | Date | | | | Scale | 1:1 | |
| Draw by | | | | | | | | | |
| Check by | | | | | | | | | |
| Review by | | | | | | | | | |
| Approve by | | | | Weight: | kg | | | | |

UNIT: mm

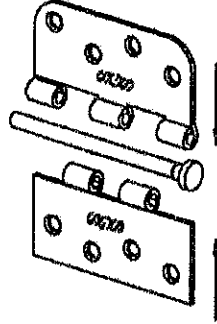
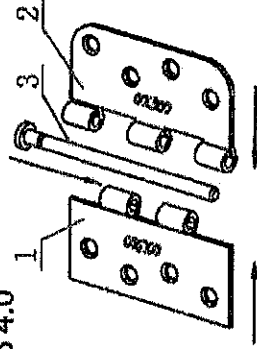
1058 4.0

5810 4.0



1058 4.0

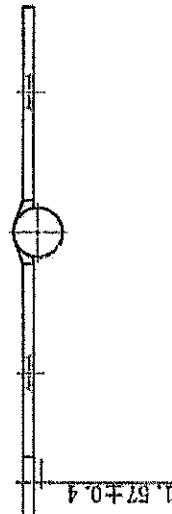
5810 4.0



| REV. | SYMBOL | REVISION | SIGNATURE | REVISED DATE |
|------|--------|----------|-----------|--------------|
| 1 | | | | |
| 2 | | | | |
| 3 | | | | |
| 4 | | | | |
| 5 | | | | |

| NO. | DWG. NO. | DESCRIPTION | SIZE | QTY. | MTL. | REMARKS |
|-----|----------|---|---------------|------|---------|---------|
| 3 | | RISING PIN | 4" x 2.5 | 1 | Q235 | |
| 2 | | 8M S0568F8 STEEL RESIDENTIAL HINGE, 3-PLUCKLE | 4" x 4" x 2.5 | 1 | SPCC-1B | |
| 1 | | 8M S0568F8 STEEL RESIDENTIAL HINGE, 2-PLUCKLE | 4" x 4" x 2.5 | 1 | SPCC-1B | |

| TOLERANCE FOR UNMARKED DIMENSIONS | |
|-----------------------------------|---------|
| > 0.5 ~ 6 | = ± 0.1 |
| > 6 ~ 30 | = ± 0.2 |
| > 30 ~ 120 | = ± 0.3 |
| > 120 ~ 400 | = ± 0.5 |



66# S0568F8 RESIDENTIAL DOOR HINGE

SIZE 4" x 4" x 2.5

PART NO.

SGS ITEM NO. 1058 4.0, 5810 4.0

DWG. NO.

REVISION: 3D:

TOTAL: 1 PAGE